

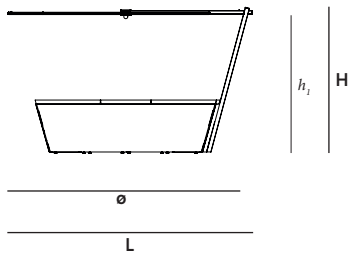
Kosmos shade

© design by Dirk Wynants

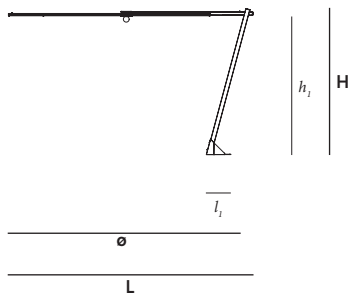


Round shade
Square shade
Floor fastening
Concrete (wheel) base

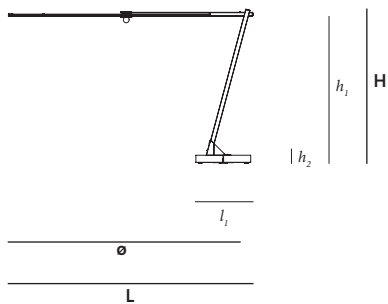
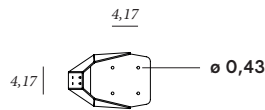
Round shade



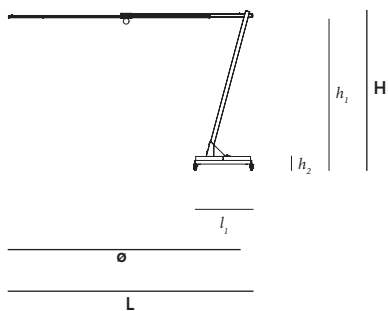
Dimensions (inch)	ø	L	H	h_1
Round shade with Kosmos	128,58	133,35	78,94	75,00
Round shade high with Kosmos	128,58	133,35	84,80	80,87



Dimensions (inch)	ø	L	H	l_1	h_1
Round shade with floor fastening	128,58	133,35	78,94	13,35	75,00
Round shade high with floor fastening	128,58	133,35	84,80	13,35	80,87



Dimensions (inch)	ø	L	H	h_1	h_2	l_1
Round shade on concrete base	128,58	133,35	84,13	80,00	4,41	29,92
Round shade high on concrete base	128,58	133,35	89,96	85,83	4,41	29,92



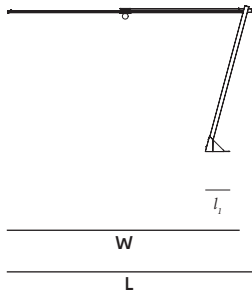
Dimensions (inch)	ø	L	H	h_1	h_2	l_1
Round shade on concrete wheel base	128,58	133,35	87,20	83,07	7,48	32,48
Round shade high on concrete wheel base	128,58	133,35	93,03	88,90	7,48	32,48

extremis®

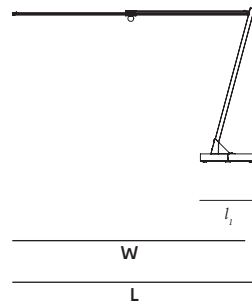
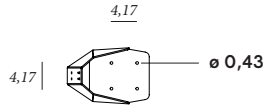
The content of this document, in particular the mentioned models, is protected by copyrights and/or design rights. The present document and its content is communicated to you for information purposes only. Any partial or total reproduction or any other use without our prior written permission is strictly prohibited. This technical sheet remains subject to possible changes. **All dimensions are in inch**, unless mentioned otherwise. Extremis is not responsible for the errors in the documentation of products. All measurements are approximate and are provided for informational purposes only.

Tech sheet
20201221

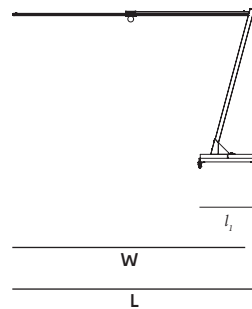
Square shade



Dimensions (inch)	L	W	H	l_1	h_1
Square shade with floor fastening	133,35	128,58	78,94	13,35	75,00
Square shade high with floor fastening	133,35	128,58	84,80	13,35	80,87

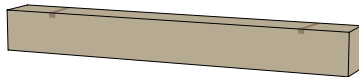


Dimensions (inch)	L	W	H	l_1	h_1	h_2
Square shade on concrete base	133,35	128,58	84,13	29,92	80,00	4,41
Square shade high on concrete base	133,35	128,58	89,96	29,92	85,83	4,41



Dimensions (inch)	L	W	H	l_1	h_1	h_2
Square shade on concrete wheel base	133,35	128,58	87,20	32,48	83,07	7,48
Square shade high on concrete wheel base	133,35	128,58	93,03	32,48	88,90	7,48

BOX 1: KOSMOS SHADE + COVER



BOX 2: 1 CONCRETE BLOCK



BOX 4: FLOOR FASTENING



BOX 3: FRAME FOR CONCRETE BASE



Box dimensions (inch)		L	W	H	Qty (#)	Volume (ft³)	Gross weight (lb)	Net weight (lb)	Packaging weight (lb)
Round shade	Box 1	88,58	9,84	9,84	1	4,94	60,87	53,64	7,23
Round shade high	Box 1	88,58	9,84	9,84	1	4,94	67,48	60,25	7,23
Square shade	Box 1	105,31	10,24	11,42	1	7,06	65,81	58,58	7,23
Square shade high	Box 1	105,31	10,24	11,42	1	7,06	72,42	65,19	7,23
Floor fastening	Box 4	12,60	9,06	10,63	1	0,71	11,90	11,46	0,44
Concrete base	Box 2	14,80	14,80	3,94	4	2,12	264,55	251,33	13,23
	Box 3	28,35	12,20	5,12	1	1,06	15,87	14,33	1,54
	Box 4	12,60	9,06	10,63	1	0,71	11,90	11,46	0,44
					total:	3,88	292,33	277,12	15,21
Concrete wheel base	Box 2	14,80	14,80	3,94	4	2,12	264,55	251,33	13,23
	Box 3	33,46	33,46	5,91	1	3,88	49,38	46,30	3,09
	Box 4	12,60	9,06	10,63	1	0,71	11,90	11,46	0,44
					total:	6,71	325,84	309,09	16,76

Materials & colors



Shade fabric



High-tech polyester*

*Subject to change, check price list or www.extremis.com

Materials	Key facts	Thickness	Layer thickness	Density	In/outdoor	Water	UV color fastness	Flame retarding
		inch	micron					
High-tech polyester parasol fabric	<ul style="list-style-type: none"> High UV resistance and ultra strong Low weight / high tear strength Long-term appearance 	0,01	n.a.	8,81 oz/ft ²	Outdoor & indoor	The fabric has a water column of 350mm (EN 20811)	7/8 (ISO 105-B02)	/
Stainless steel pole & connection piece	<ul style="list-style-type: none"> High rust resistance Periodical maintenance required 	0,07- 0,63	n.a.	0,50 10 ⁹ lb/ft ³	Outdoor & indoor	n.a.	Very good	NEN-EN 13501-1 A1 *
Concrete base	<ul style="list-style-type: none"> Made under high pressure Matt and porous concrete 	3,93	n.a.	0,13 10 ⁹ lb/ft ³	Outdoor & indoor	n.a.	Very good	NEN-EN 13501-1 A1 *
Hot dip galvanized frame for concrete base	<ul style="list-style-type: none"> Most durable method for protecting metal from rusting Protective layer Very long life span 100% recyclable Cradle to Cradle Certified™ 	0,07 - 0,39	50 - 100	0,47 10 ⁹ lb/ft ³	Outdoor & indoor	n.a.	Very good: galvanization will however become less shiny when used outdoors	NEN-EN 13501-1 A1 *
LED light with dimmer	<ul style="list-style-type: none"> Colour temperature of 3000K (warm white) 350mA 7W 110 - 220 V; 50 - 60 Hz. 	n.a.	n.a.	n.a.	Outdoor & indoor	IP65	/	/
Cover	<ul style="list-style-type: none"> Polyester 	0,01	n.a.	14,10 oz/ft ²	Outdoor & indoor	100% water-proof	6-8/8 (ISO 105-B02)	BS 7837

* NEN-EN13501-1 A1

Class A1 products will not contribute to fire in any stage, including fully developed fire. For this reason, they are assumed to be capable of satisfying all requirements of all lower classes as well.

Warnings

General

- Do not use any sharp tools to open the packaging.
- We strongly advise against using power tools.
- Tripping hazard, mind your step.
- Do not put out cigarettes on the parasol.
- Not graffiti proof.
- To avoid danger of suffocation, keep plastic bags away from babies and children.
- Colors can differ over years and from batch to batch.

Product

- Anchoring the product has to be done by qualified people.
- For anchoring: use suitable bolts or screws from a specialized store depending on the material your terrace is made of.
- Store the parasol when not used for a long time as follows: vertically, completely dry and in a dry environment.

- Do not leave closed if not completely dry. Do not leave the parasol closed for a long time when the parasol fabric is still damp or wet.
- In case of strong winds, close the parasol and use the slip-cover to prevent the parasol from opening or getting dirty.
- Do not leave the parasol unattended when opened.
- The parasol withstands wind speeds up to 6 on the Beaufort scale when anchored to the floor. If possible, put the parasol with its opening pointed at the wind direction. We advise to close the parasol and apply the cover from 4 Beaufort on.

High-tech polyester

- Shake or brush off loose dirt immediately.
- Do not use any aggressive detergents as they will remove the protective coating of the fabric.
- We strongly advise you not to use a high-pressure hose for cleaning.

Stainless steel

- Very good UV color fastness.
- Flame retarding: NEN-EN13501-1 A1 - Class A1 products will not contribute to fire in any stage, including fully developed fire. For this reason, they are assumed to be capable of satisfying all requirements of all lower classes as well.
- Watch out, stainless steel isn't entirely rustproof! Be sure to avoid contact with iron objects. If it does show signs of rust, clean with rust remover as quickly as possible.

Concrete

- Matt and porous.
- Very good UV colour fastness.
- Flame retarding: NEN-EN13501-1 A1 - Class A1 products will not contribute to fire in any stage, including fully developed fire. For this reason, they are assumed to be capable of satisfying all requirements of all lower classes as well.

Applications

Residential: on your terrace, patio or courtyard.

Project: hotel and catering industry, terraces, event venues, schools, wellness, spa's, ...

Floor fastening

For anchoring directly to the floor, place the stainless steel part on the floor and mark the spots to drill the holes.



Instructions

You can open and close the parasol like a fan. The parasol stays open by means of magnetes.



Good to know

- Tests in a wind tunnel have shown that the parasol resists up to 6 Beaufort. Attention, we advise to close the parasol from 4 Beaufort on.
- After a long time not being in use, it's possible that the magnets loose strength.
- The parasol cover is included.

F.a.q.

Q: Is the parasol wind resistant?

A: The parasol withstands wind speeds up to 6 on the Beaufort scale. Two hidden magnets keep the parasol open. When the wind is very strong, they will first lose their grip and you will then have the chance to close your umbrella before damage occurs. We advise to close the parasol and apply the cover from 4 Beaufort on.

Q: How long is the connection cable of the LED-light?

A: The connection cable has a length of 8 metres.

Important

We advise to close the parasol and apply the included cover from 4 Beaufort on.



Maintenance

Find maintenance instructions at the downloads section of extremis.com for:

PARASOL FABRIC

- Shake or brush off loose dirt immediately.
- Spray Extremis Multi Cleaner
- Use a soft brush and make circular movements.
- Let the suds soak in for a moment.
- Rinse thoroughly to remove all soap residue.
- Simply allow to dry. Do not use detergents, as they will remove the fabric's protective coating.

STAINLESS STEEL

- Clean regularly with a dry cloth and some stainless steel cleaner.

Website

www.extremis.com/kosmosparasol