

Steelcase®



Activa / Activa Lift2  
Deskling

Visit [steelcase.com](http://steelcase.com)

 [facebook.com/Steelcase](https://facebook.com/Steelcase)  [twitter.com/Steelcase](https://twitter.com/Steelcase)  [youtube.com/SteelcaseTV](https://youtube.com/SteelcaseTV)

Concept and Design / Steelcase  
DM699EN 05/15 © 2015 Steelcase Inc. All rights reserved. All specifications subject to change without notice.  
Printed on at least 60% recycled paper. Cert no. BV-COC-858659. Printed in France by OTT Imprimeurs – Wasselonne.





## Business is moving faster

With its innovative products and space solutions, Steelcase enables its customers throughout the world to set free the latent potential within the company and its people. This successful activation of the workspace is based on intensive research and user observation. We developed the Activa desk and bench system in response to user and company requirements.

From assembly within seconds, to the height adjustment with no tools, the technical details of Activa are a real payoff in the hectic reality of every-day office life. Thanks to its modular construction, assembly and reconfiguration, costs can be drastically reduced. The Activa and Activa Lift 2 desk and bench family, with in total seven height adjustment versions in a single design, provides a made to measure, ergonomic solution for every requirement and professional cable management at the workplace.

Moreover, the Activa bench enriches space and supports reduction of square metres without compromising worker's wellbeing by offering a variety of ergonomic solutions.



C9378 | ACTIVA LIFT 2 BENCH ELECTRIC (WY/ZW), PARTITO SCREEN (AT16), FUNCTIONAL SCREEN, 1+1 LED PERSONAL TASK LIGHT (WM), 1+1 TOOLS, THINK CHAIR (3D KNIT 15)

## Activa bench: optimised space and ergonomics

For years, benching has been an efficient way to manage real estate compression. And while that still holds true, a “one size-fits-all” approach to benching has been typical, compromising worker efficiency and satisfaction.

Today’s workers and their employers require solutions that support their specific job functions and work scenarios. Activa bench enriches space and supports reduction of square metres without compromising worker’s wellbeing by offering a variety of ergonomic solutions.

## Activa bench answers different types of user needs

With its various options Activa bench improves privacy, encourages posture change and offers tailored ergonomic options.



C9377 | ACTIVA BENCH TELESCOPIC AND CRANK (WY/ZW), ORGA-RAIL, PARTITO SCREEN (AT16), IMPLICIT (WY/AB/AT16), FUNCTIONAL SCREEN, DASH MINI (WM), 1+1 TOOLS, FORWARD ARM (ARCTIC WHITE), THINK CHAIR (3D KNIT 15)

# 15,2 M<sup>2</sup>

In 2011, office space in Europe shrank from 17m<sup>2</sup> to 15,2m<sup>2</sup> in average.

*Franke & Partner - 2011*



### PARTITO SCREEN

Partito Screen brings structure to space. The Orga-Rail accessories can be incorporated easily.



### LINKING BAR

The linking bar offers an aesthetic approach and enables the users to collaborate without any obstacle.



### HEIGHT ADJUSTABILITY

Activa bench allows users to change posture throughout the day according to their individual work modes.



### SIDE PANEL COVER

The side panel cover adds some privacy to the user. Furthermore, cables can be installed inside and guided through the panel.

## Activa desk

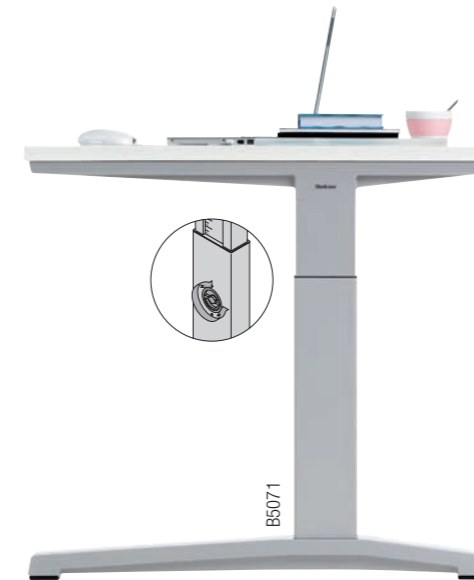
The result of an extended research is a desk system that sets new standards. With a variety of desktop shapes, linking possibilities and add-ons, Activa can be ideally adapted to your real needs, whether you work alone or in a team.



C6128 | ACTIVA CRANK DESK (WY/WM), ORGA-RAIL, DASH, PLURIO MONITOR ARM, 1+1 ORGANISATION TOOLS, IMPLICIT PEDESTAL (W5/WY), PLEASE TASK CHAIR (AT10)



**H720MM  
ACTIVA FIXED HEIGHT**  
The low-cost entry level version.



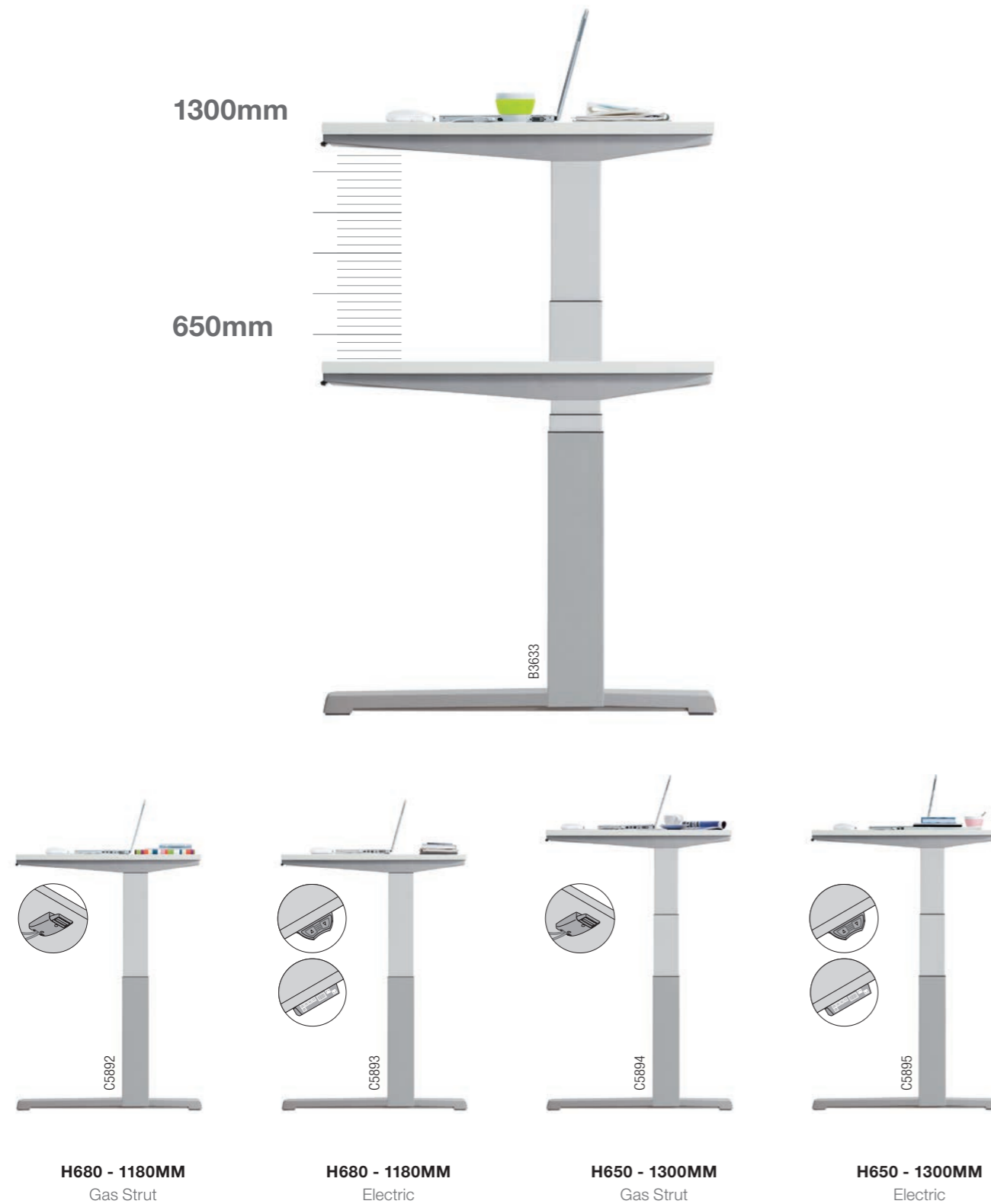
**H620 - 900MM  
ACTIVA TELESCOPIC**  
Can be quickly set to different heights – no tools required.



**H620 - 900MM  
ACTIVA CRANK**  
The ideal desk sharing partner.

## Activa Lift 2 sit/stand desk

A family with four height versions talks the language of design. Highly dynamic: healthy working with active alternation of standing and seated postures with the Lift Desk. Besides Activa Lift 2 is rigid, so there is no need for an horizontal stabilisation bar.



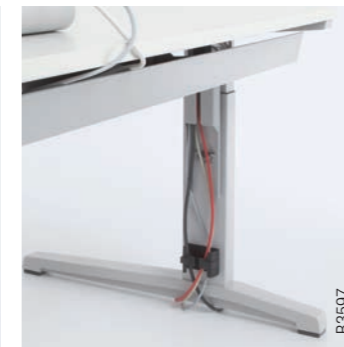
C5424 | ACTIVA LIFT 2 (WY/WM), ORGA-RAIL, 1+1 LED TASK LAMP, PLEASE TASK CHAIR (A102)

## Cable management in record time

Activa hides cables from sight. Convenient and intelligent - horizontal cable trays and risers can be mounted and accessed without tools. They are extremely roomy and can be lowered by full 260mm - that makes the cabling of the Activa Lift 2 version easy to carry out. The fixed height, telescopic and crank-adjusted desk versions are fitted with a sliding top. With Activa fixed height, cable management is child's play.



**TELESCOPIC CABLE RISER**  
Activa



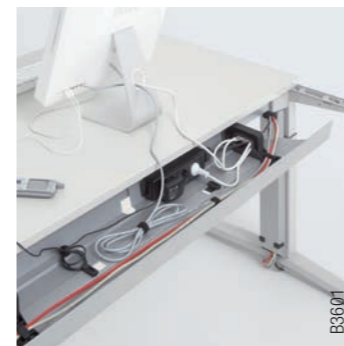
**TELESCOPIC CABLE RISER WITH OPEN COVER**  
Activa



**CABLE CARRIER**  
Activa Lift 2



**FLEXIBLE RISER SECTION**  
Activa and Activa Lift 2



**SLIDING TOP**  
Activa



**CABLE TRAY (HORIZONTAL)**  
Activa and Activa Lift 2



**CABLE MANAGEMENT**  
Activa and Activa Lift 2



**CABLE RISER**  
Activa and Activa Lift 2

## Accessories to equip your workplace

Optional parts can be added to Activa and Activa Lift 2 like a construction kit – Orga-Rail for top organisation, holding a multitude of useful aids ready to hand, adapters for technical accessories and cable control at the desk and to the power source.

Intelligent design details. Many can be made use of without tools, such as the telescopic height adjustment, the cable riser or the Activa's CPU holder. A workplace designed down to the last detail and guaranteed a pleasure to use.



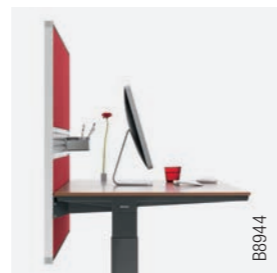
**MODESTY PANEL**



**TOP EXTENSION**



**1+1 ORGANISATION ACCESSORIES**



**PARTITO SCREEN**



**ORGA-RAIL**



**TECHNICAL EQUIPMENT**



**CPU HOLDER**  
No tools required, inside or outside mounted. Activa



**CPU HOLDER**  
Inside mounted, with a belt, no tools required. Activa Lift 2



**LEVELING GLIDES**  
To compensate uneven floors, adjustment range  $\pm 15\text{mm}$ .



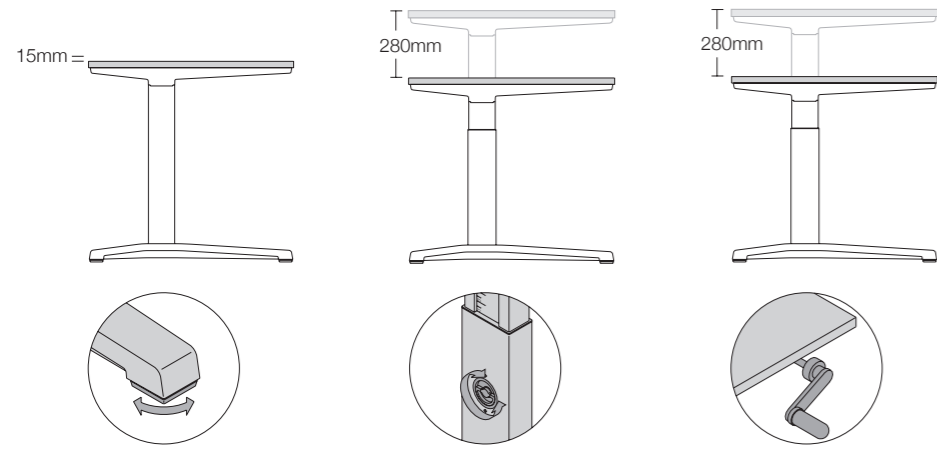
**TELESCOPIC HEIGHT ADJUSTMENT**  
No tools required.





STATEMENT OF LINE

ACTIVA DESK



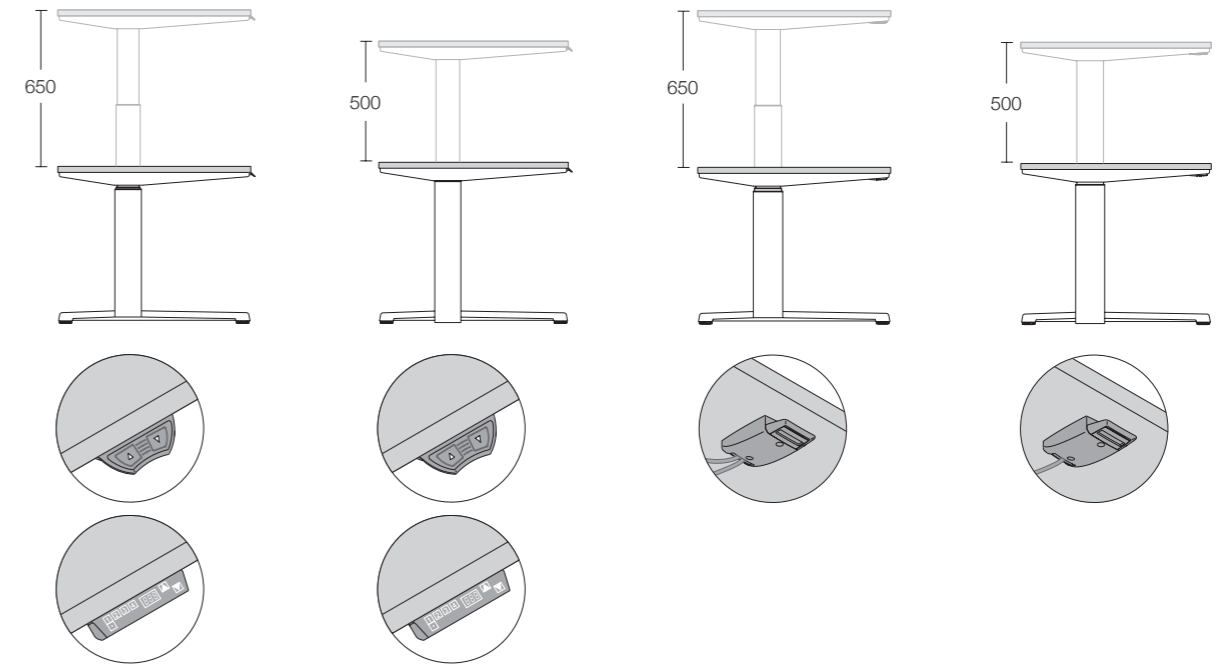
**H720MM**  
Activa fixed height  
Foot adjustment 15mm

**H620 - 900MM**  
Activa Telescopic  
No tools required  
Foot adjustment 15mm

**H620 - 900MM**  
Activa Crank  
Crank operated  
Foot adjustment 15mm

Activa with a single design principle for all height adjustment versions.  
In one area, you can perfectly combine different versions.

ACTIVA LIFT 2 DESK



**ELECTRIC TABLES**  
650-1300mm

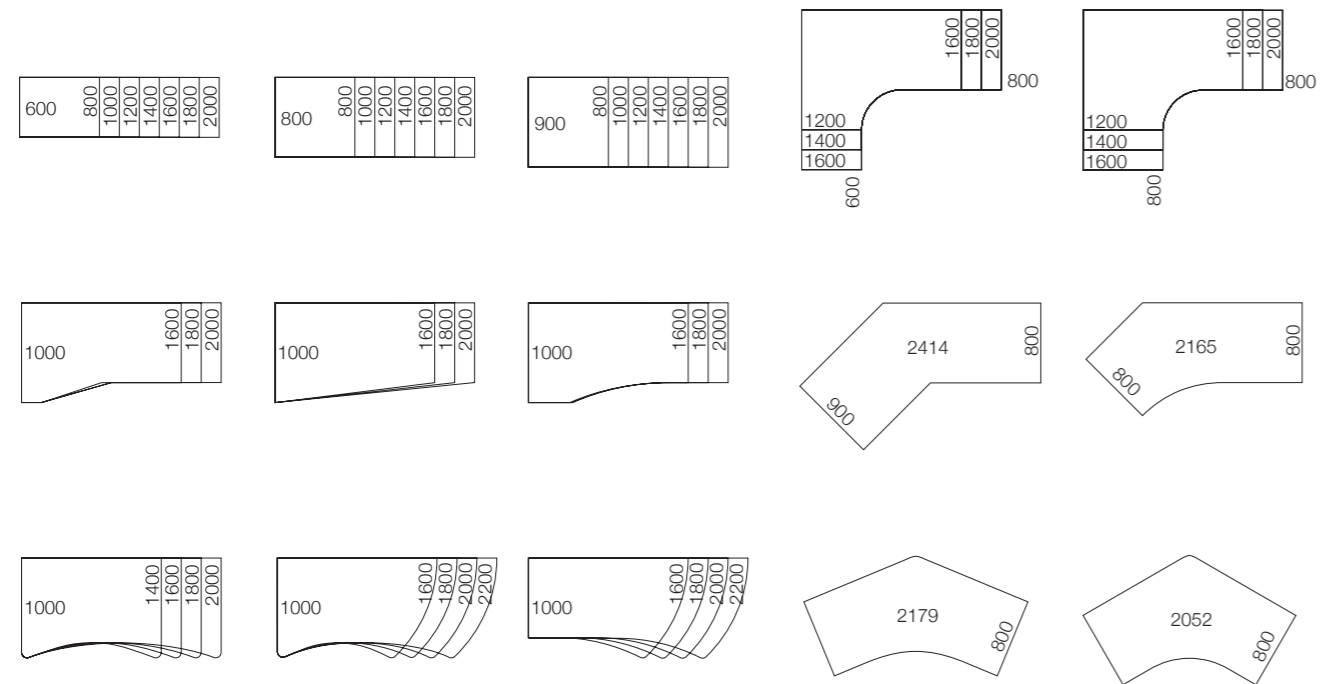
680-1180mm

**GAS STRUT TABLES**  
650-1300mm

680-1180mm

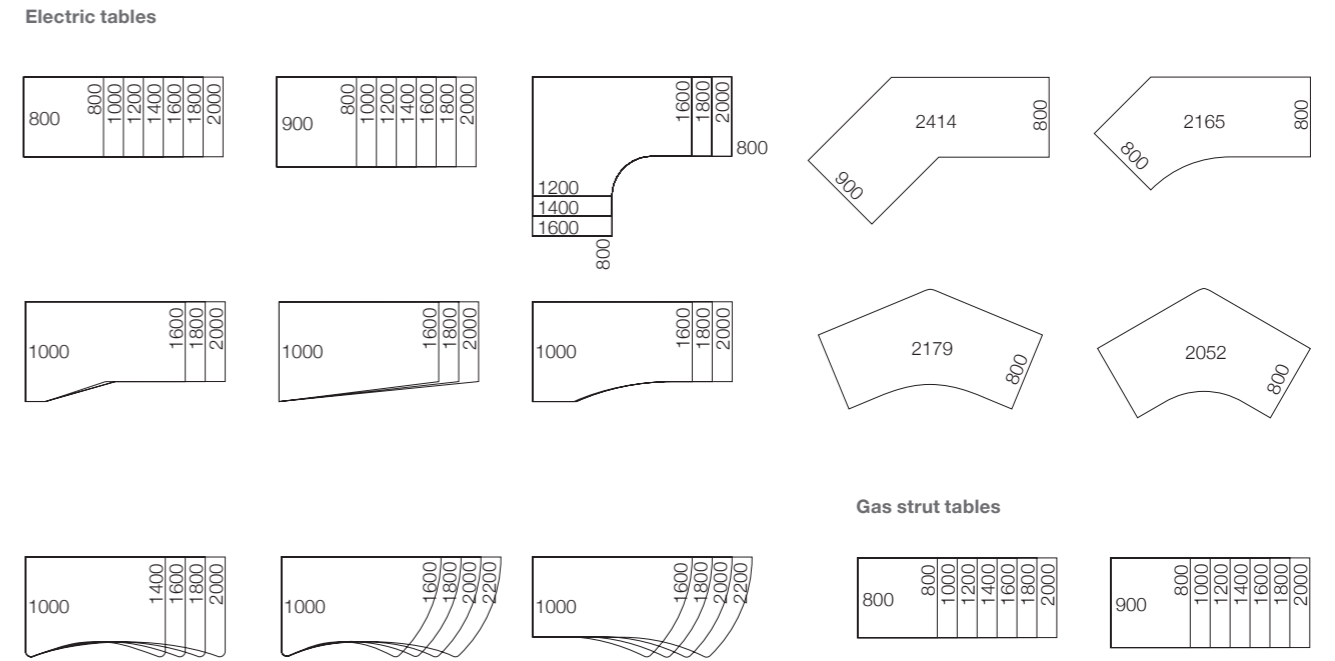
ACTIVA TOP OVERVIEW

Dimensions in mm



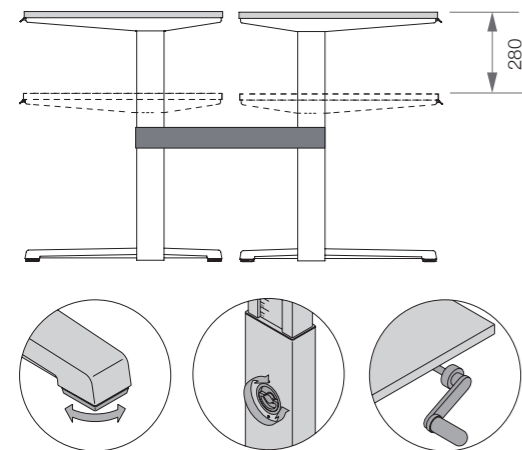
ACTIVA LIFT 2 TOP OVERVIEW

Dimensions in mm



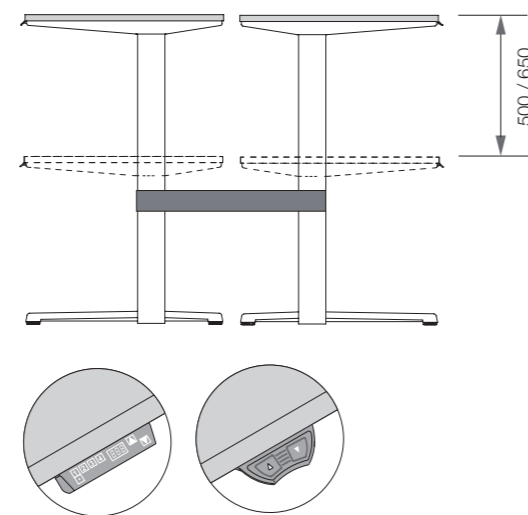
HEIGHT ADJUSTMENT

Activa Bench



Fixed height H720mm (Compensation 10mm)  
Telescopic H620-900mm (Continuously)  
Crank H620-900mm (Continuously)

Activa Lift2 Bench



Electric H680-1180mm  
Electric H650-1300mm

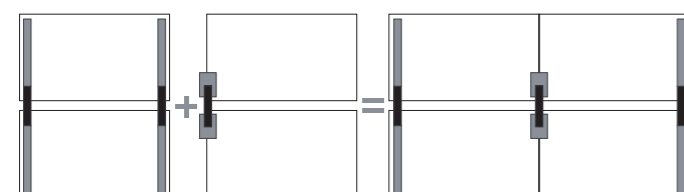
TOPS

Straight freestanding /Type 10 (for fixed, telescopic, crank & electric)  
Straight extension /Type 10 (for fixed, telescopic & crank)  
1690mm = 2 x 800mm + 90mm gap or 1890mm = 2 x 900mm + 90mm gap

1200 800 900	1400 800 900	1600 800 900	1800 800 900	2000 800 900
800 900	800 900	800 900	800 900	800 900

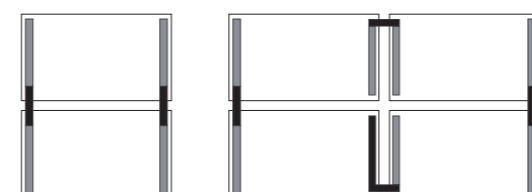
CONNECTORS

Fixed height, telescopic and crank adjustable (Activa Bench)



Straight, freestanding element: 2 standard sets of legs  
Extension: 1 intermediate leg / linking bar

Electric height adjustable (Activa Lift2 Bench)



Straight, freestanding element: 2 standard sets of legs.  
Option: Lateral connection. The legs can NOT be retracted. Set of floor spacers, to connect the desks. These floor spacers must be ordered separately.

DESIGNING FOR THE ENVIRONMENT REQUIRES INNOVATIVE THINKING AND SOLUTIONS.



LIFE CYCLE ASSESSMENT

During our products development process we consider each stage of the life cycle: from materials extraction, production, transport, use and reuse, until the end of its life. Thanks to the Life Cycle Assessment (LCA) method, Steelcase quantified Activa environmental impacts to set the stage for further improvements. This method, based on ISO 14040 and 14044 and selected by The European Union for environmental evaluation, allows us to quantify the environmental impact of our products throughout their whole lifecycle.

MATERIALS

57% recycled materials, by weight (34% pre-consumer + 23% post-consumer).

Wood from European sustainably managed forests.

Low formaldehyde emissions of wood based panels according to ISO 16000 (<20µg/m3).

70% recycled cardboard.

PRODUCTION

Manufactured in Rosenheim, Germany by Steelcase.

Uses powder-coat paints: VOC-free and free of heavy metals.

TRANSPORT

Made in Europe, close to customers.

Optimised packaging to keep transport volumes as low as possible and improve filling rates.

USE

Designed for a long product life, with replaceable parts.

Materials meet stringent health and indoor air quality criteria.

Maintenance information available upon request.

END OF LIFE

99% theoretically recyclable by weight.

100% theoretically recyclable cardboard and LDPE film for packaging.

Quick and easy disassembly.

Plastic parts clearly labelled for easy sorting and effective recycling.

Designed to ensure responsible end of use strategies - refurbishing, charitable donation or recycling.

CERTIFICATIONS

To show continuous improvements, we communicate Activa desk environmental performance through voluntary environmental labels and declarations. Sustainability related actions and results are communicated in the annual Steelcase Corporate Responsibility report.

PRODUCT

PEP Product Environmental Profile

Blauer Engel

Indoor Advantage Gold

MATERIALS

PEFC - Programme for the Endorsement of Forest Certification

E1 E1 - Low concentration of formaldehyde in wood

PLANTS

ISO 14001 ISO 14001 - Environmental management system

EMAS EMAS - European Eco-Management and Audit Scheme

FIND OUT MORE

Visit [steelcase.com](http://steelcase.com) to discover more about Steelcase's unique ecodesign strategy.