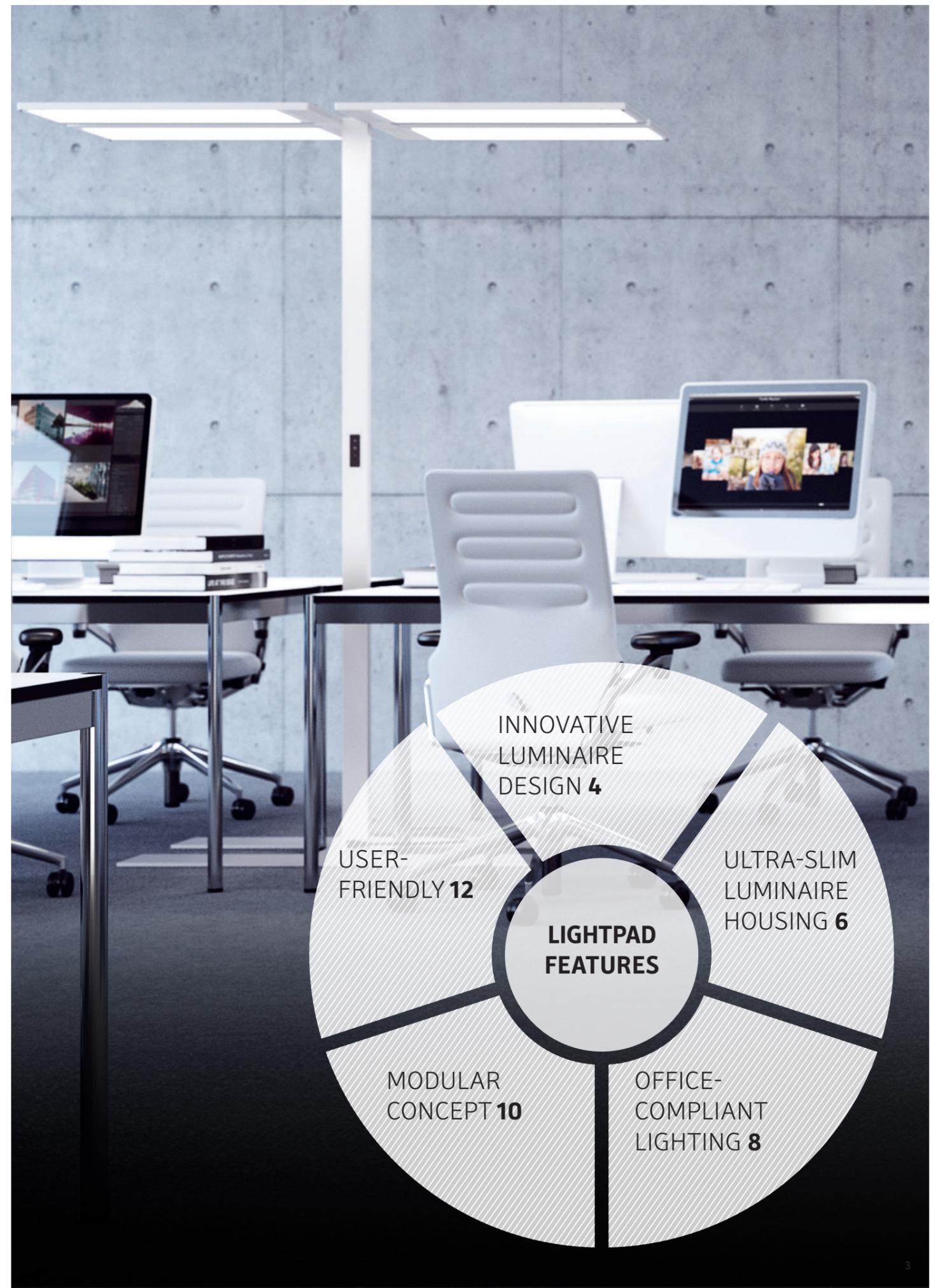


**LIGHTPAD – WE THINK IN TERMS OF
DESKS.** THE FLEXIBLE FREE-STANDING
LUMINAIRE.







PERFECTLY MINIMAL. PERFECTLY CRAFTED. **PERFECT LIGHT.**

THE FREE-STANDING LUMINAIRE LIGHTPAD USES THE POTENTIAL OF LED TECHNOLOGY TO MAXIMUM EFFECT. **LIGHTPAD FEATURES AN ULTRA-SLIM HOUSING MEASURING JUST 19 MILLIMETRES IN HEIGHT AND PROVIDES A HIGHLY EFFICIENT, HIGH-PERFORMANCE SOLUTION FOR OFFICE SPACES.** THE DESIGN OF THE LUMINAIRE IS ALSO IMPRESSIVE. NOT SURPRISING THAT IT HAS BEEN AWARDED THE RENOWNED GERMAN DESIGN AWARD WINNER 2017.



The cutting-edge electronic equipment is concealed within the stand. Intuitive controls ensure the luminaire is easy to operate and handle.

«Form follows function». Nothing has been visually overdone on the Lightpad. Every design element has a clear function. The fine slats in the housing are clearly visible, and determine and underline the lightness and aesthetic quality of the design while guaranteeing reliable thermal management to enhance the lifespan of the LEDs. Lightpad is available in a choice of colours: black, white and silver.

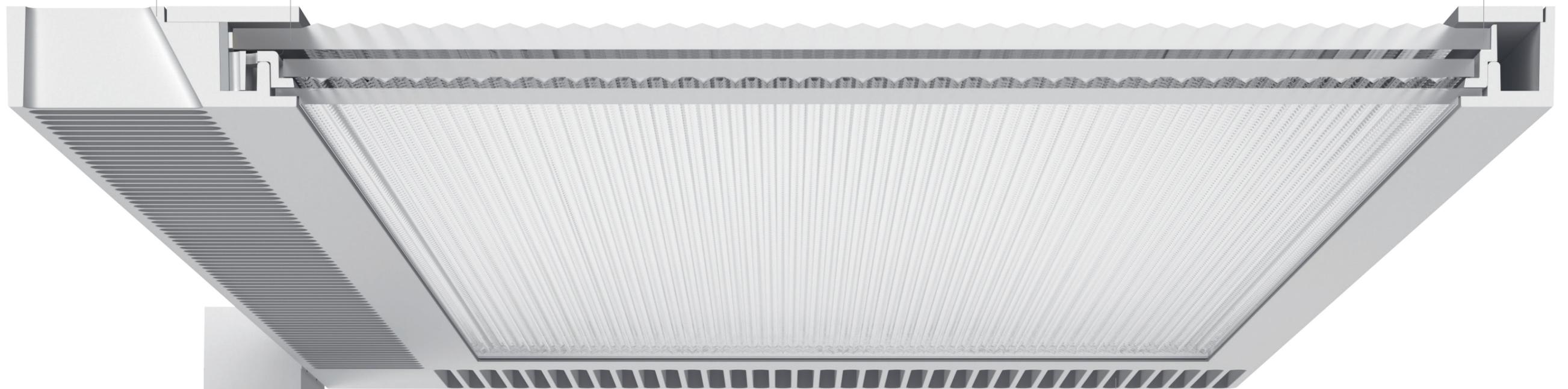
The concept behind Lightpad was developed in close collaboration with the renowned Frankfurt-based architects' firm schneider+schumacher. The lively exchange of ideas led to solutions that meet the needs of users to an optimum.

LESS IS MORE. THE ULTRA-SLIM LUMINAIRE HEAD.

ultra-slim design and minimalist formal language
seamless housing, cast in one piece
available in black, white and silver

Optical Stack Track Technology for perfect double
asymmetric light distribution
70 % indirect and 30 % direct light
dust protection thanks to sealed indirect light source

LED modules 3000 K/4000 K with a CRI > 80



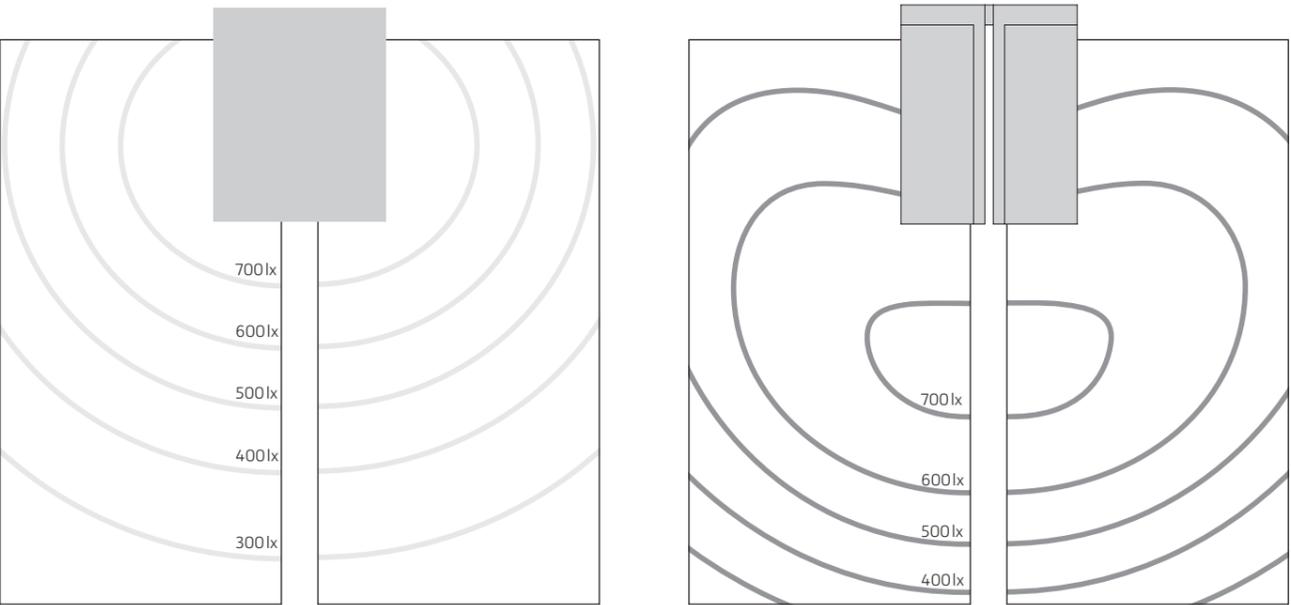
stand made of high-grade aluminium
compact integral cutting-edge electronics
connected to building services through DALI
intuitive controls (aligned to the number of luminaire
heads) concealed within the stand (p. 14)

thermal management in the form of slats increases the
lifespan of the LEDs and enhances the design

THINKING OUTSIDE THE BOX – WHAT DOES IT ACHIEVE? **STANDARD-COMPLIANT LIGHTING.**

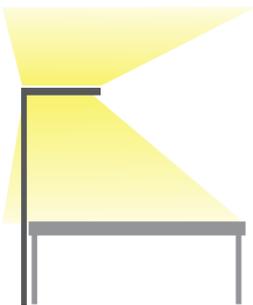
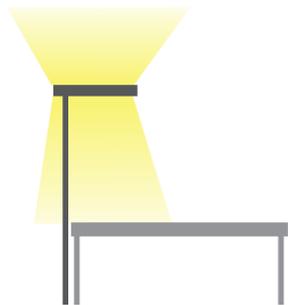
FOR THE FIRST TIME OUR TEAM OF SPECIALISTS OPTED NOT TO FOCUS PRIMARILY ON LUMEN, LUX OR WATTS, BUT TO THINK IN TERMS OF DESKS. THE OUTCOME: **LIGHTPAD, WHICH DELIVERS THE OPTIMUM LIGHT DISTRIBUTION FOR ANY WORKPLACE** AND IS HIGHLY APPRECIATED IN ANY OFFICE ENVIRONMENT.

COMPARISON OF LIGHT DISTRIBUTIONS IN THE TASK AREA: PLAN VIEW OF DESK



CONVENTIONAL FREE-STANDING LUMINAIRE
SYMMETRIC LIGHT DISTRIBUTION

LIGHTPAD
ASYMMETRIC LIGHT DISTRIBUTION



Side view of workstation



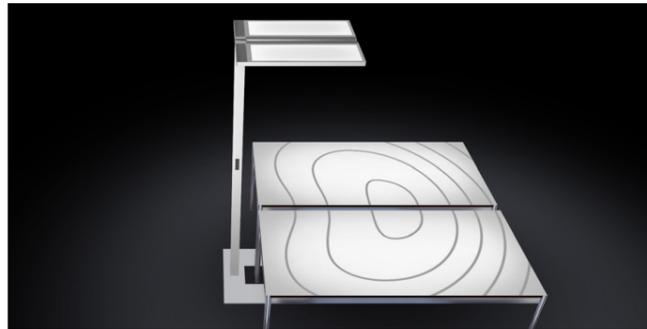
Lightpad meets all requirements for standard-compliant lighting for workstations. The Optical Stack Track Technology developed by Regent delivers double asymmetric light distribution, which focuses the light on the centre of the workplace. The spread of light across the desk is extremely uniform, meeting the standard requirements for uniformity in all typical spaces ($U_0 = 0.6$). The specially developed microprismatic optics applied have the added advantage compared to other optical systems that they do not give rise to multiple shadows.

The short luminaire head design ensures good CRF values: reflections of shiny surfaces of objects lying horizontal to the desk are kept to a minimum, which means Lightpad also scores high on contrast rendition. The quality of the light is not only confined to the task area, but also impacts the ambient space and the background area. And the Optical Stack Track Technology delivers an even spread of light across the ceiling. In short – Lightpad guarantees consistent, reliable lighting for modern workstations pursuant to EN 12464-1.

The integral presence detector and daylight sensor has also been redesigned. The coverage area of each luminaire head is restricted to the respective desk area, which means that only changes immediately relevant to the workstation are registered.

THINKING BRINGS NEW LIGHT. WE THINK IN TERMS OF DESKS.

CONVENTIONAL FREE-STANDING LUMINAIRES QUICKLY FACE THEIR LIMITATIONS WHEN IT COMES TO MODERN OFFICE CONCEPTS. A WORKSTATION OFTEN COMPRISES A NUMBER OF DESKS AND PARTITIONS. **THIS IS WHERE THE FLEXIBLE CONCEPT BEHIND LIGHTPAD DELIVERS THE PERFECT ANSWER.** THE MODULAR LUMINAIRE IS ABLE TO DELIVER THE IDEAL LIGHT TO MEET INDIVIDUAL REQUIREMENTS AT THE WORKPLACE.

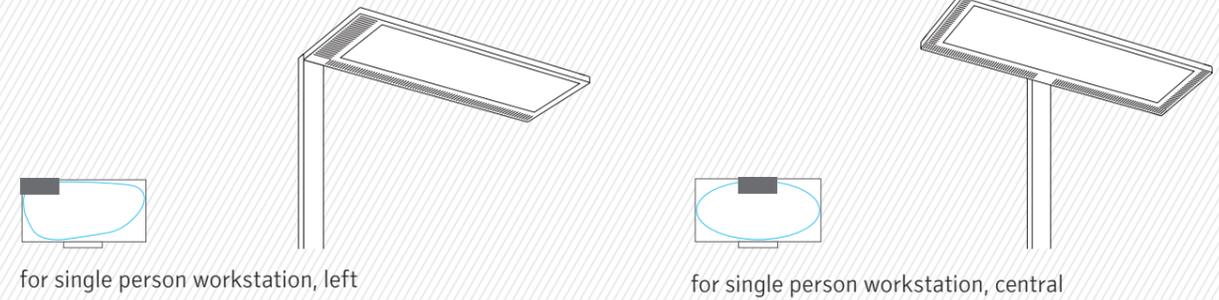


Different desk configurations require a different number of luminaires with, again, different light distributions. This was taken into account in the design process and the most common desk configurations were addressed. Whether for one, two, three or four person workstations – the eight different arrangements of luminaire heads deliver the best light for every workstation. Up to four luminaire heads can be mounted on one stand.

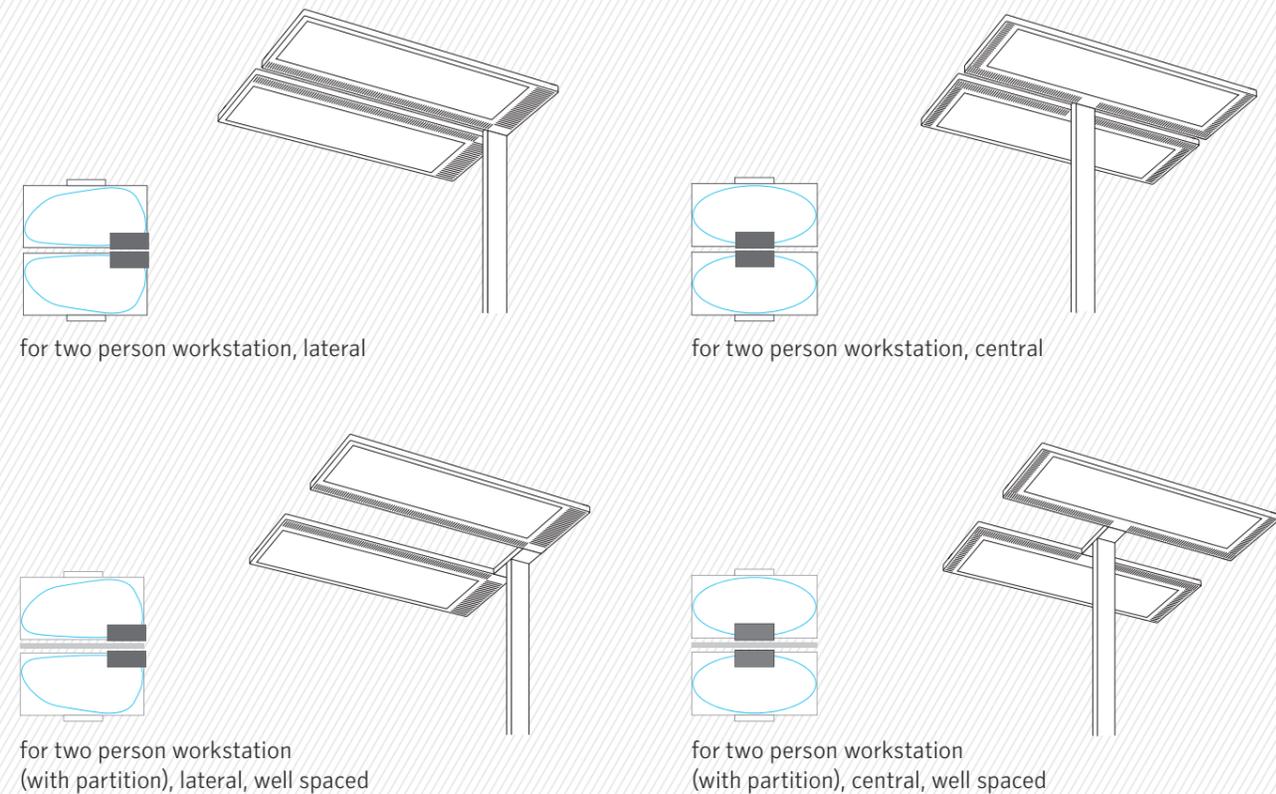
This required a complete rethink with regard to development, design and realisation. Attention was not only paid to the positioning of the luminaire heads in relation to the different desk configurations – the base plates were also developed taking the most common desk designs into consideration. Different shapes are available. In short: we think in terms of desks.

OVERVIEW OF LUMINAIRE HEADS WITH DIAGRAMS SHOWING DIFFERENT DESK ARRANGEMENTS

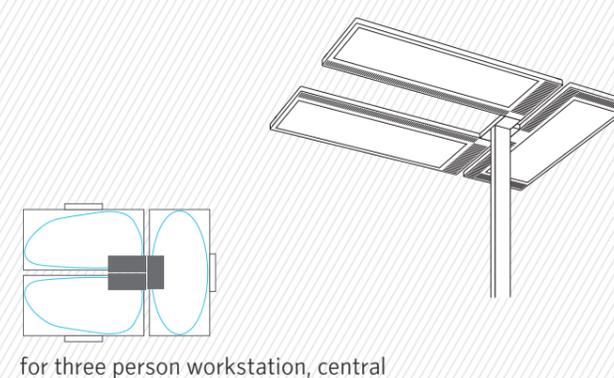
ONE PERSON WORKSTATION



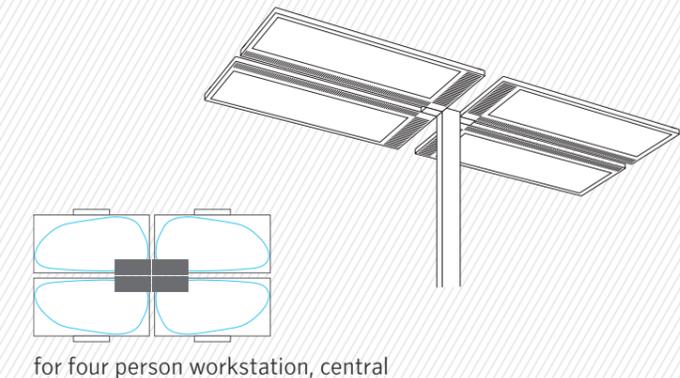
TWO PERSON WORKSTATION



THREE PERSON WORKSTATION



FOUR PERSON WORKSTATION



— diagrams showing light distribution on the desk



ONE LUMINAIRE. MANY ADVANTAGES.



Control interface for one and two person workstations (mounted onto both sides of the stand in the case of two person workstations)



Control interface for three person workstations (mounted onto both sides of the stand)



Control interface for four person workstations (mounted onto both sides of the stand)

INTUITIVE CONTROLS

The design of Lightpad features clear forms. The control interface for the lighting is integrated into the stand and reduced to just three finger-shaped buttons. All the Lightpad functions can be controlled via these buttons. A status indicator provides information as to the mode or function which is currently active.

In order to ensure a high level of user comfort, the lighting at each workstation can be operated and controlled autonomously. In the case of a four person workstation, for example, each of the luminaire heads can be controlled separately. Thus every individual working at a desk in the office space has the opportunity to define what light he/she needs to create the desired atmosphere at the workplace.

- seamlessly integrated into the stand
- every workstation disposes over its own lighting controls
- LED status indicator



ONE STAND. MANY DESKS

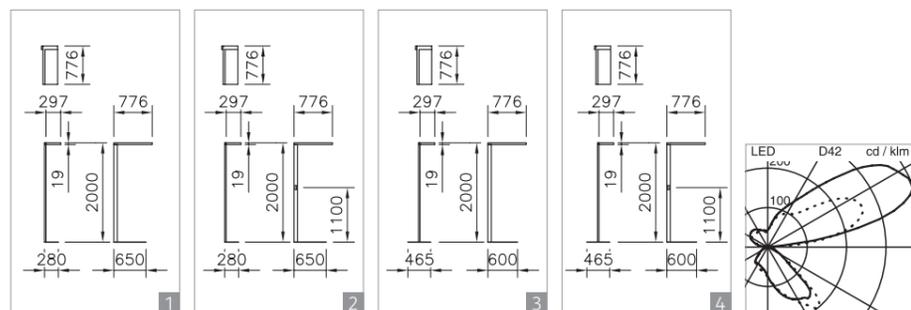
Offices no longer need to be overrun with a multitude of luminaire stands. The innovative design solutions enables up to four luminaire heads to be mounted on one stand. The lighting control modules are built-in accordingly, providing easy access to Lightpad from every workplace whatever the desk configuration happens to be.

- up to four luminaire heads per stand: thus taking different desk constellations into consideration (page 11)

THE RIGHT BASE PLATE WHATEVER THE DESK CONFIGURATION

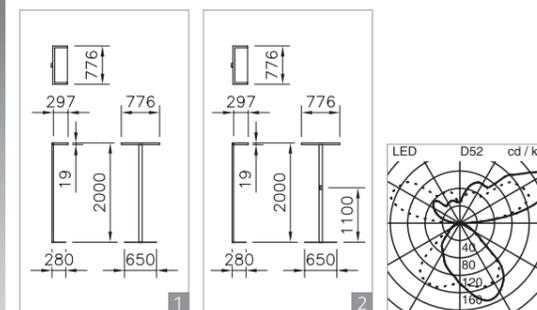
It is also important to us what happens beneath the desk. This is why we have designed a range of base plates in order to be able to align with the desk design and the position of the legs that support the working surface. This allows Lightpad to be aligned perfectly with a wide variety of desk designs. The base plate is just 8 mm high, so Lightpad can fit neatly under different desks, irrespective of the design of the legs.

- a choice of base plates is available to ensure Lightpad can be positioned perfectly



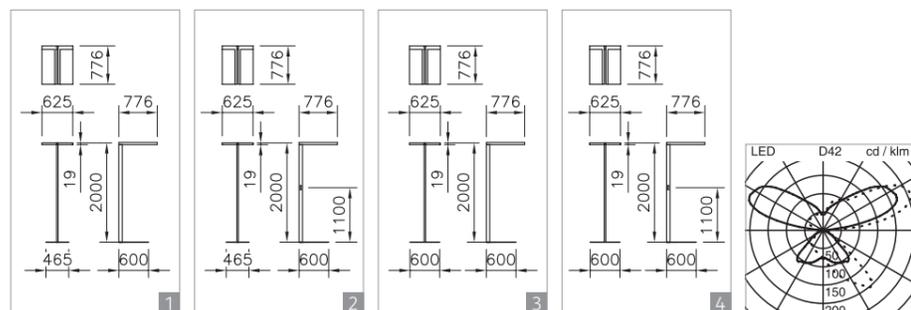
FREESTANDING LUMINAIRE LIGHTPAD LED
FOR SINGLE PERSON WORKSTATION, LEFT

System power	Luminous flux of luminaire	Colour temperature	Colour	Base plate shape	Control element	Ref. n° Plug: CH	Ref. n° Plug: EU
57 W	6500 lm	4000 K	white	Base plate, full mould, oblong	without control element	1 1022.2926	1022.2927
57 W	6200 lm	3000 K	white	Base plate, full mould, oblong	without control element	1 1022.2918	1022.2919
57 W	6500 lm	4000 K	white	Base plate, full mould, oblong	with control element	2 1022.2930	1022.2931
57 W	6200 lm	3000 K	white	Base plate, full mould, oblong	with control element	2 1022.2922	1022.2923
57 W	6500 lm	4000 K	silver	Base plate, full mould, oblong	without control element	1 1022.2814	1022.2815
57 W	6200 lm	3000 K	silver	Base plate, full mould, oblong	without control element	1 1022.2806	1022.2807
57 W	6500 lm	4000 K	silver	Base plate, full mould, oblong	with control element	2 1022.2818	1022.2819
57 W	6200 lm	3000 K	silver	Base plate, full mould, oblong	with control element	2 1022.2810	1022.2811
57 W	6500 lm	4000 K	black	Base plate, full mould, oblong	without control element	1 1022.2902	1022.2903
57 W	6200 lm	3000 K	black	Base plate, full mould, oblong	without control element	1 1022.2894	1022.2895
57 W	6500 lm	4000 K	black	Base plate, full mould, oblong	with control element	2 1022.2906	1022.2907
57 W	6200 lm	3000 K	black	Base plate, full mould, oblong	with control element	2 1022.2898	1022.2899
57 W	6500 lm	4000 K	white	Base plate, U-shaped	without control element	3 1022.2928	1022.2929
57 W	6200 lm	3000 K	white	Base plate, U-shaped	without control element	3 1022.2920	1022.2921
57 W	6500 lm	4000 K	white	Base plate, U-shaped	with control element	4 1022.2932	1022.2933
57 W	6200 lm	3000 K	white	Base plate, U-shaped	with control element	4 1022.2924	1022.2925
57 W	6500 lm	4000 K	silver	Base plate, U-shaped	without control element	3 1022.2816	1022.2817
57 W	6200 lm	3000 K	silver	Base plate, U-shaped	without control element	3 1022.2808	1022.2809
57 W	6500 lm	4000 K	silver	Base plate, U-shaped	with control element	4 1022.2820	1022.2821
57 W	6200 lm	3000 K	silver	Base plate, U-shaped	with control element	4 1022.2812	1022.2813
57 W	6500 lm	4000 K	black	Base plate, U-shaped	without control element	3 1022.2904	1022.2905
57 W	6200 lm	3000 K	black	Base plate, U-shaped	without control element	3 1022.2896	1022.2897
57 W	6500 lm	4000 K	black	Base plate, U-shaped	with control element	4 1022.2908	1022.2909
57 W	6200 lm	3000 K	black	Base plate, U-shaped	with control element	4 1022.2900	1022.2901



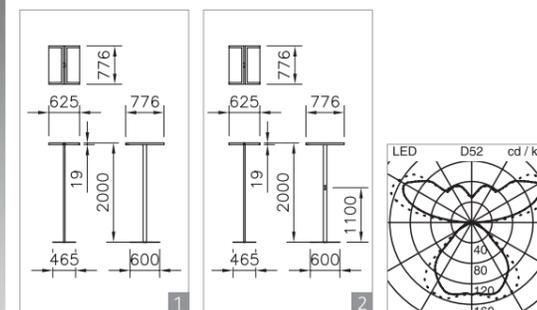
FREESTANDING LUMINAIRE LIGHTPAD LED
FOR SINGLE PERSON WORKSTATION, CENTRAL

System power	Luminous flux of luminaire	Colour temperature	Colour	Base plate shape	Control element	Ref. n° Plug: CH	Ref. n° Plug: EU
58 W	6800 lm	4000 K	white	Base plate, full mould, oblong	without control element	1 1022.2938	1022.2939
58 W	6500 lm	3000 K	white	Base plate, full mould, oblong	without control element	1 1022.2934	1022.2935
58 W	6800 lm	4000 K	white	Base plate, full mould, oblong	with control element	2 1022.2940	1022.2941
58 W	6500 lm	3000 K	white	Base plate, full mould, oblong	with control element	2 1022.2936	1022.2937
58 W	6800 lm	4000 K	silver	Base plate, full mould, oblong	without control element	1 1022.2826	1022.2827
58 W	6500 lm	3000 K	silver	Base plate, full mould, oblong	without control element	1 1022.2822	1022.2823
58 W	6800 lm	4000 K	silver	Base plate, full mould, oblong	with control element	2 1022.2828	1022.2829
58 W	6500 lm	3000 K	silver	Base plate, full mould, oblong	with control element	2 1022.2824	1022.2825



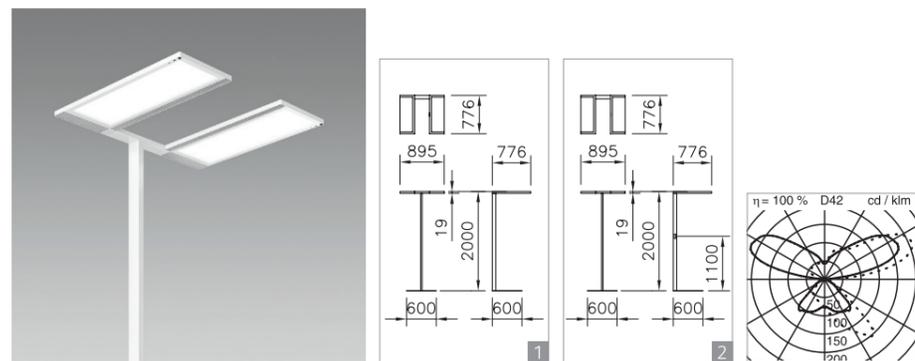
FREESTANDING LUMINAIRE LIGHTPAD LED
FOR TWO PERSON WORKSTATION, LATERAL

System power	Luminous flux of luminaire	Colour temperature	Colour	Base plate shape	Control element	Ref. n° Plug: CH	Ref. n° Plug: EU
98 W	11400 lm	4000 K	white	Base plate, U-shaped	without control element	1 1022.2946	1022.2947
98 W	10900 lm	3000 K	white	Base plate, U-shaped	without control element	1 1022.2942	1022.2943
98 W	11400 lm	4000 K	white	Base plate, U-shaped	with 2 control elements	2 1022.2948	1022.2949
98 W	10900 lm	3000 K	white	Base plate, U-shaped	with 2 control elements	2 1022.2944	1022.2945
98 W	11400 lm	4000 K	silver	Base plate, U-shaped	without control element	1 1022.2834	1022.2835
98 W	10900 lm	3000 K	silver	Base plate, U-shaped	without control element	1 1022.2830	1022.2831
98 W	11400 lm	4000 K	silver	Base plate, U-shaped	with 2 control elements	2 1022.2836	1022.2837
98 W	10900 lm	3000 K	silver	Base plate, U-shaped	with 2 control elements	2 1022.2832	1022.2833
98 W	11400 lm	4000 K	black	Base plate, U-shaped	without control element	1 1022.2914	1022.2915
98 W	10900 lm	3000 K	black	Base plate, U-shaped	without control element	1 1022.2910	1022.2911
98 W	11400 lm	4000 K	black	Base plate, U-shaped	with 2 control elements	2 1022.2916	1022.2917
98 W	10900 lm	3000 K	black	Base plate, U-shaped	with 2 control elements	2 1022.2912	1022.2913
98 W	11400 lm	4000 K	white	Base plate, U-shaped XL	without control element	3 1023.0379	1023.0380
98 W	10900 lm	3000 K	white	Base plate, U-shaped XL	without control element	3 1023.0375	1023.0376
98 W	11400 lm	4000 K	white	Base plate, U-shaped XL	with 2 control elements	4 1023.0381	1023.0382
98 W	10900 lm	3000 K	white	Base plate, U-shaped XL	with 2 control elements	4 1023.0377	1023.0378
98 W	11400 lm	4000 K	silver	Base plate, U-shaped XL	without control element	3 1023.0362	1023.0363
98 W	10900 lm	3000 K	silver	Base plate, U-shaped XL	without control element	3 1023.0358	1023.0359
98 W	11400 lm	4000 K	silver	Base plate, U-shaped XL	with 2 control elements	4 1023.0364	1023.0366
98 W	10900 lm	3000 K	silver	Base plate, U-shaped XL	with 2 control elements	4 1023.0360	1023.0361
98 W	11400 lm	4000 K	black	Base plate, U-shaped XL	without control element	3 1023.0371	1023.0372
98 W	10900 lm	3000 K	black	Base plate, U-shaped XL	without control element	3 1023.0367	1023.0368
98 W	11400 lm	4000 K	black	Base plate, U-shaped XL	with 2 control elements	4 1023.0373	1023.0374
98 W	10900 lm	3000 K	black	Base plate, U-shaped XL	with 2 control elements	4 1023.0369	1023.0370



FREESTANDING LUMINAIRE LIGHTPAD LED
FOR TWO PERSON WORKSTATION, CENTRAL

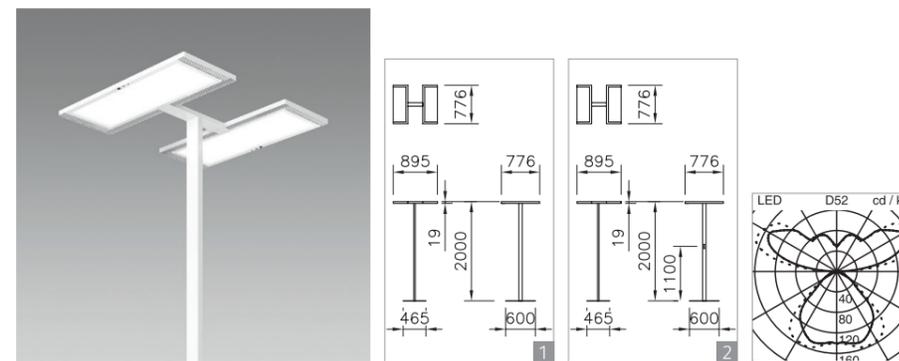
System power	Luminous flux of luminaire	Colour temperature	Colour	Base plate shape	Control element	Ref. n° Plug: CH	Ref. n° Plug: EU
96 W	11400 lm	4000 K	white	Base plate, full mould	without control element	1 1022.2958	1022.2959
96 W	10900 lm	3000 K	white	Base plate, full mould	without control element	1 1022.2950	1022.2951
96 W	11400 lm	4000 K	white	Base plate, full mould	with 2 control elements	2 1022.2962	1022.2963
96 W	10900 lm	3000 K	white	Base plate, full mould	with 2 control elements	2 1022.2954	1022.2955
96 W	11400 lm	4000 K	silver	Base plate, full mould	without control element	1 1022.2846	1022.2847
96 W	10900 lm	3000 K	silver	Base plate, full mould	without control element	1 1022.2838	1022.2839
96 W	11400 lm	4000 K	silver	Base plate, full mould	with 2 control elements	2 1022.2850	1022.2851
96 W	10900 lm	3000 K	silver	Base plate, full mould	with 2 control elements	2 1022.2842	1022.2843
96 W	11400 lm	4000 K	white	Base plate, H-shaped	without control element	1 1023.0486	1023.0487
96 W	10900 lm	3000 K	white	Base plate, H-shaped	without control element	1 1023.0482	1023.0483
96 W	11400 lm	4000 K	white	Base plate, H-shaped	with 2 control elements	2 1023.0488	1023.0489
96 W	10900 lm	3000 K	white	Base plate, H-shaped	with 2 control elements	2 1023.0484	1023.0485
96 W	11400 lm	4000 K	silver	Base plate, H-shaped	without control element	1 1023.0478	1023.0479
96 W	10900 lm	3000 K	silver	Base plate, H-shaped	without control element	1 1023.0474	1023.0475
96 W	11400 lm	4000 K	silver	Base plate, H-shaped	with 2 control elements	2 1023.0480	1023.0481
96 W	10900 lm	3000 K	silver	Base plate, H-shaped	with 2 control elements	2 1023.0476	1023.0477



FREESTANDING LUMINAIRE LIGHTPAD LED

FOR TWO PERSON WORKSTATION, LATERAL, WELL SPACED

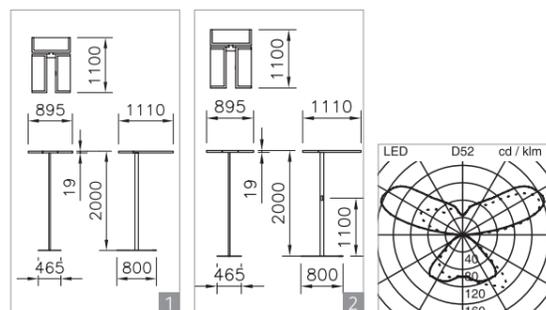
System power	Luminous flux of luminaire	Colour temperature	Colour	Base plate shape	Control element	Ref. n° Plug: CH	Ref. n° Plug: EU
98 W	11400 lm	4000 K	white	Base plate, U-shaped XL	without control element	1 1023.0322	1023.0323
98 W	10900 lm	3000 K	white	Base plate, U-shaped XL	without control element	1 1023.0318	1023.0319
98 W	11400 lm	4000 K	white	Base plate, U-shaped XL	with 2 control elements	2 1023.0324	1023.0325
98 W	10900 lm	3000 K	white	Base plate, U-shaped XL	with 2 control elements	2 1023.0320	1023.0321
98 W	11400 lm	4000 K	silver	Base plate, U-shaped XL	without control element	1 1023.0314	1023.0315
98 W	10900 lm	3000 K	silver	Base plate, U-shaped XL	without control element	1 1023.0310	1023.0311
98 W	11400 lm	4000 K	silver	Base plate, U-shaped XL	with 2 control elements	2 1023.0316	1023.0317
98 W	10900 lm	3000 K	silver	Base plate, U-shaped XL	with 2 control elements	2 1023.0312	1023.0313



FREESTANDING LUMINAIRE LIGHTPAD LED

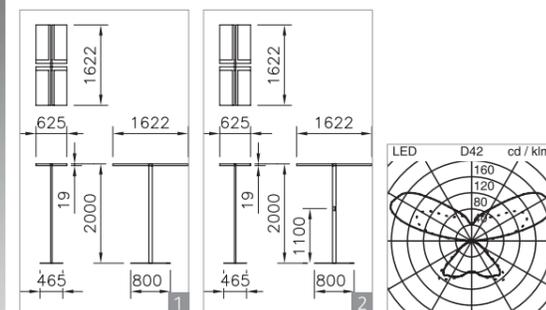
FOR TWO PERSON WORKSTATION, CENTRAL, WELL-SPACED

System power	Luminous flux of luminaire	Colour temperature	Colour	Base plate shape	Control element	Ref. n° Plug: CH	Ref. n° Plug: EU
96 W	11400 lm	4000 K	white	Base plate, full mould	without control element	1 1022.2998	1022.2999
96 W	10900 lm	3000 K	white	Base plate, full mould	without control element	1 1022.2990	1022.2991
96 W	11400 lm	4000 K	white	Base plate, full mould	with 2 control elements	2 1022.3002	1022.3003
96 W	10900 lm	3000 K	white	Base plate, full mould	with 2 control elements	2 1022.2994	1022.2995
96 W	11400 lm	4000 K	silver	Base plate, full mould	without control element	1 1022.2886	1022.2887
96 W	10900 lm	3000 K	silver	Base plate, full mould	without control element	1 1022.2878	1022.2879
96 W	11400 lm	4000 K	silver	Base plate, full mould	with 2 control elements	2 1022.2890	1022.2891
96 W	10900 lm	3000 K	silver	Base plate, full mould	with 2 control elements	2 1022.2882	1022.2883
96 W	11400 lm	4000 K	white	Base plate, H-shaped	without control element	1 1023.0503	1023.0504
96 W	10900 lm	3000 K	white	Base plate, H-shaped	without control element	1 1023.0498	1023.0499
96 W	11400 lm	4000 K	white	Base plate, H-shaped	with 2 control elements	2 1023.0505	1023.0506
96 W	10900 lm	3000 K	white	Base plate, H-shaped	with 2 control elements	2 1023.0500	1023.0501
96 W	11400 lm	4000 K	silver	Base plate, H-shaped	without control element	1 1023.0494	1023.0495
96 W	10900 lm	3000 K	silver	Base plate, H-shaped	without control element	1 1023.0490	1023.0491
96 W	11400 lm	4000 K	silver	Base plate, H-shaped	with 2 control elements	2 1023.0496	1023.0497
96 W	10900 lm	3000 K	silver	Base plate, H-shaped	with 2 control elements	2 1023.0492	1023.0493



FREESTANDING LUMINAIRE LIGHTPAD LED
FOR THREE PERSON WORKSTATION

System power	Luminous flux of luminaire	Colour temperature	Colour	Base plate shape	Control element	Ref. n° Plug: CH	Ref. n° Plug: EU
147 W	17100 lm	4000 K	white	Base plate, H-shaped	without control element	1 1023.0338	1023.0339
147 W	16300 lm	3000 K	white	Base plate, H-shaped	without control element	1 1023.0334	1023.0335
147 W	17100 lm	4000 K	white	Base plate, H-shaped	with 3 control elements	2 1023.0340	1023.0341
147 W	16300 lm	3000 K	white	Base plate, H-shaped	with 3 control elements	2 1023.0336	1023.0337
147 W	17100 lm	4000 K	silver	Base plate, H-shaped	without control element	1 1023.0330	1023.0331
147 W	16300 lm	3000 K	silver	Base plate, H-shaped	without control element	1 1023.0326	1023.0327
147 W	17100 lm	4000 K	silver	Base plate, H-shaped	with 3 control elements	2 1023.0332	1023.0333
147 W	16300 lm	3000 K	silver	Base plate, H-shaped	with 3 control elements	2 1023.0328	1023.0329



FREESTANDING LUMINAIRE LIGHTPAD LED
FOR FOUR PERSON WORKSTATION

System power	Luminous flux of luminaire	Colour temperature	Colour	Base plate shape	Control element	Ref. n° Plug: CH	Ref. n° Plug: EU
196 W	22800 lm	4000 K	white	Base plate, H-shaped	without control element	1 1023.0354	1023.0355
196 W	21700 lm	3000 K	white	Base plate, H-shaped	without control element	1 1023.0350	1023.0351
196 W	22800 lm	4000 K	white	Base plate, H-shaped	with 4 control elements	2 1023.0356	1023.0357
196 W	21700 lm	3000 K	white	Base plate, H-shaped	with 4 control elements	2 1023.0352	1023.0353
196 W	22800 lm	4000 K	silver	Base plate, H-shaped	without control element	1 1023.0346	1023.0347
196 W	21700 lm	3000 K	silver	Base plate, H-shaped	without control element	1 1023.0342	1023.0343
196 W	22800 lm	4000 K	silver	Base plate, H-shaped	with 4 control elements	2 1023.0348	1023.0349
196 W	21700 lm	3000 K	silver	Base plate, H-shaped	with 4 control elements	2 1023.0344	1023.0345



COMMUNICATION MODULE ALONE AT WORK

Notes	Ref. n°
	1022.6646



MOUNTING SET LIGHTPAD LED

Notes	Ref. n°
	1022.6764

Contacts

Hauptsitz Schweiz Regent Beleuchtungskörper AG, Dornacherstrasse 390, Postfach 139, CH-4018 Basel, Tel. +41 61 335 51 11, Fax +41 61 335 52 01, info.bs@regent.ch **Bern** Regent Beleuchtungskörper AG, Jupiterstrasse 15, Postfach 170, CH-3000 Bern 15, Tel. +41 31 940 10 10, Fax +41 31 940 10 11, info.be@regent.ch **Genève** Régent Appareils d'éclairage SA, Rue de Saint-Jean 30, CH-1203 Genève, Tél. +41 22 340 34 00, Fax +41 22 340 38 82, info.ge@regent.ch **Lausanne** Régent Appareils d'éclairage SA, Chemin du Rionzi 60, Case postale 432, CH-1052 Le Mont-sur-Lausanne, Tél. +41 21 642 02 02, Fax +41 21 648 21 19, info.ls@regent.ch **Lugano** Regent Illuminazione SA, Via al Mulino 22, CH-6814 Cadempino, Tel. +41 91 966 77 33, Fax +41 91 967 11 01, info.ti@regent.ch **Zürich** Regent Beleuchtungskörper AG, Luggwegstrasse 9, CH-8048 Zürich, Tel. +41 44 497 31 11, Fax +41 44 497 31 61, info.zh@regent.ch **Head Office International** Regent Beleuchtungskörper AG, Dornacherstrasse 390, P.O. Box 139, CH-4018 Basel Switzerland, Tel. +41 61 335 53 70, Fax +41 61 335 55 96, export.bs@regent.ch **Deutschland** Regent Licht GmbH, Plange Mühle 1, D-40221 Düsseldorf, Tel. +49 211 598 972 10, Fax +49 211 598 972 59, info@regent-licht.de **France** Régent Appareils d'éclairage Sarl, Siège social, 38 bis Boulevard Beaumarchais, F-75011 Paris, Régent Appareils d'éclairage SA, Siège commercial, Dornacherstrasse 390, Case postale 139, CH-4018 Bâle Suisse, Tél. +33 1 45 72 46 88, Fax +41 61 335 55 96, info.fr@regent.ch **Israel** Regent Lighting Marketing Ltd., 4, Moshe Sharet St., IL-75704 Rishon Letzion, Phone +972 3 962 29 70, Fax +972 3 962 29 98, service@regentlighting.co.il **Italia** Regent Illuminazione s.r.l., Sede legale, Via Vittor Pisani 16, I-20124 Milano, Tel. +39 02 667 183 78, Fax +39 02 673 861 09, info.it@regent.ch **Österreich** Regent Licht GmbH, Karl-Farkas-Gasse 22, A-1030 Wien, Tel. +43 1 879 12 10, Fax +43 1 879 12 09, info@regent-licht.at **India** Regent Lighting Asia Private Limited, A-19, Ground Floor, Sector-64, Noida - 201301, Uttar Pradesh, India, Phone +91 120 404 4600 (North India), +91 120 473 3028/+91 120 473 3030 (South & West India) info@regent-lighting.in

www.regent.ch



183103.EN