

# AARON

Pio & Tito Toso | 2020

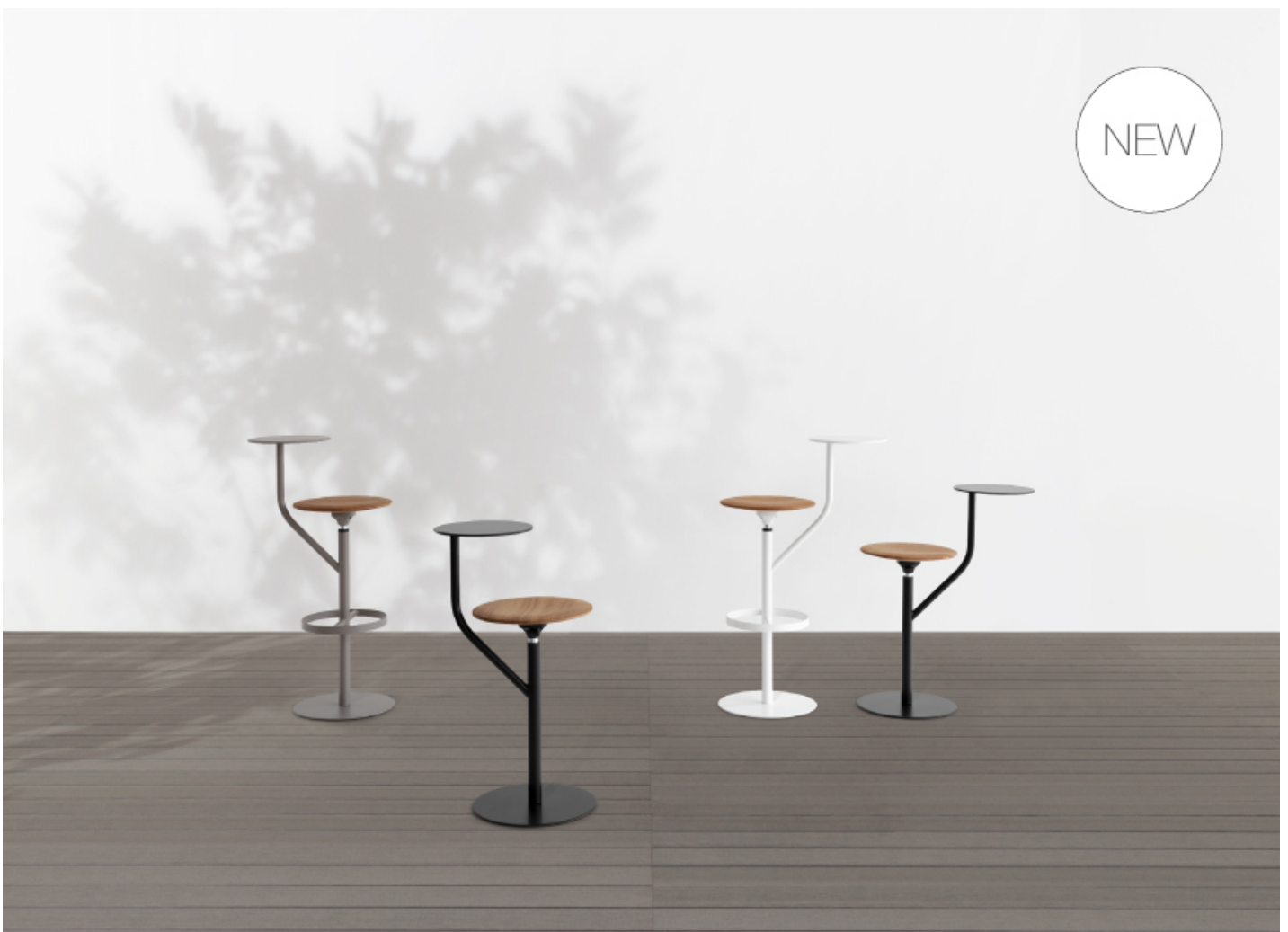




# AARON

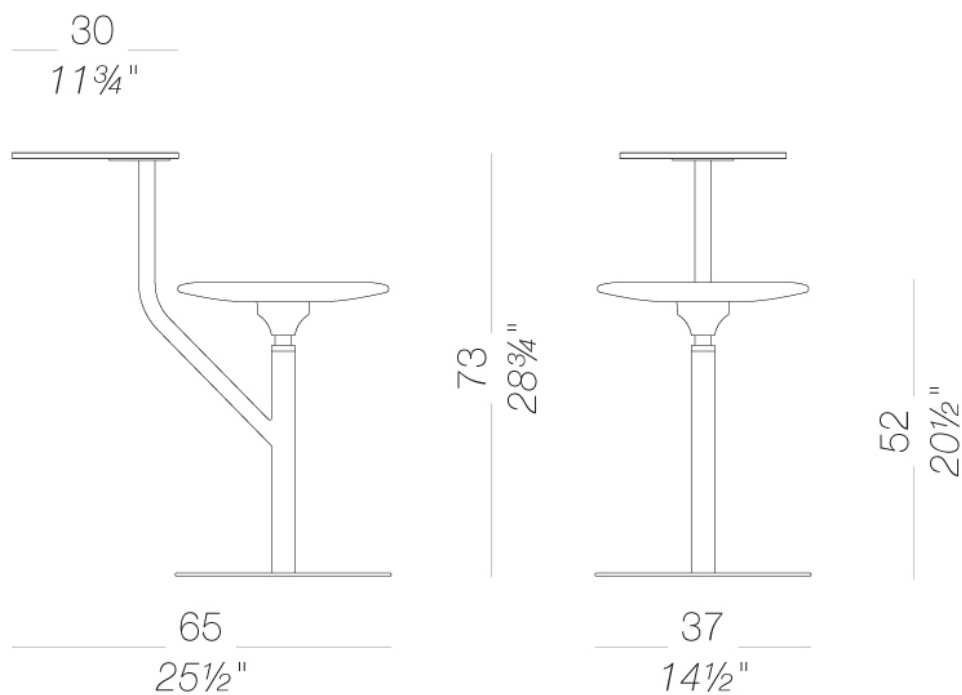
Pio & Tito Toso | 2020

Trees can sense the warm season, as they start to grow again and each branch produces a new one. Also AARON, with its echoing vowels, announces the arrival of spring and summer, and the classic stool sprouts a side table. A single line, elegant and fluid, like only natural lines can be. This original combined seat and top adds extra functions, ensuring privacy and comfort in a very small space, perhaps because it was created thanks to the talent of two brothers, Pio and Tito Toso, or maybe because it was born in Venice, a city doubled in its waters. It has a metal column, at different heights, with a footrest and base that can be fixed to the floor. The seat is in Iroko wood. For Lapalma, it is a new outdoor masterpiece. For nature, it is one of her most beautiful designs.



## ES436 | outdoor stool with swivel table top h52

Stool with base in stainless steel Aisi 316L polyester powder coated. Swivel seat in solid Iroko wood and off-centre pivoting tablet in aluminium polyester powder coated. Rubber glides under the base.

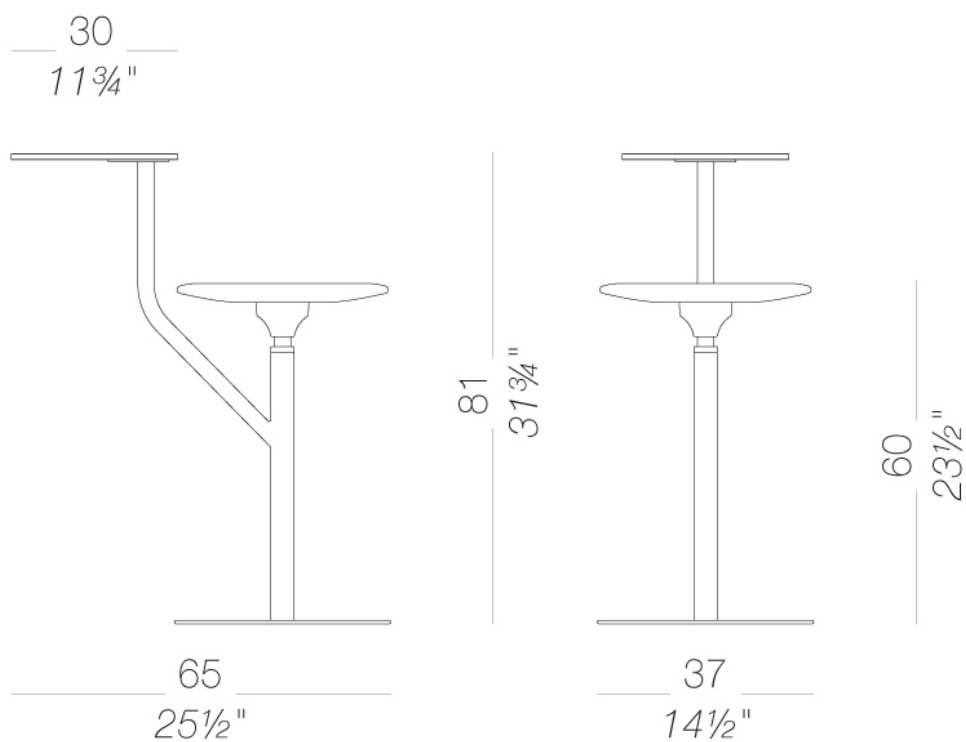


# AARON

Pio & Tito Toso | 2020

## ES440 | outdoor stool with swivel table top h60 ☀️

Stool with base in stainless steel Aisi 316L polyester powder coated. Swivel seat in solid Iroko wood and off-centre pivoting tablet in aluminium polyester powder coated. Rubber glides under the base.



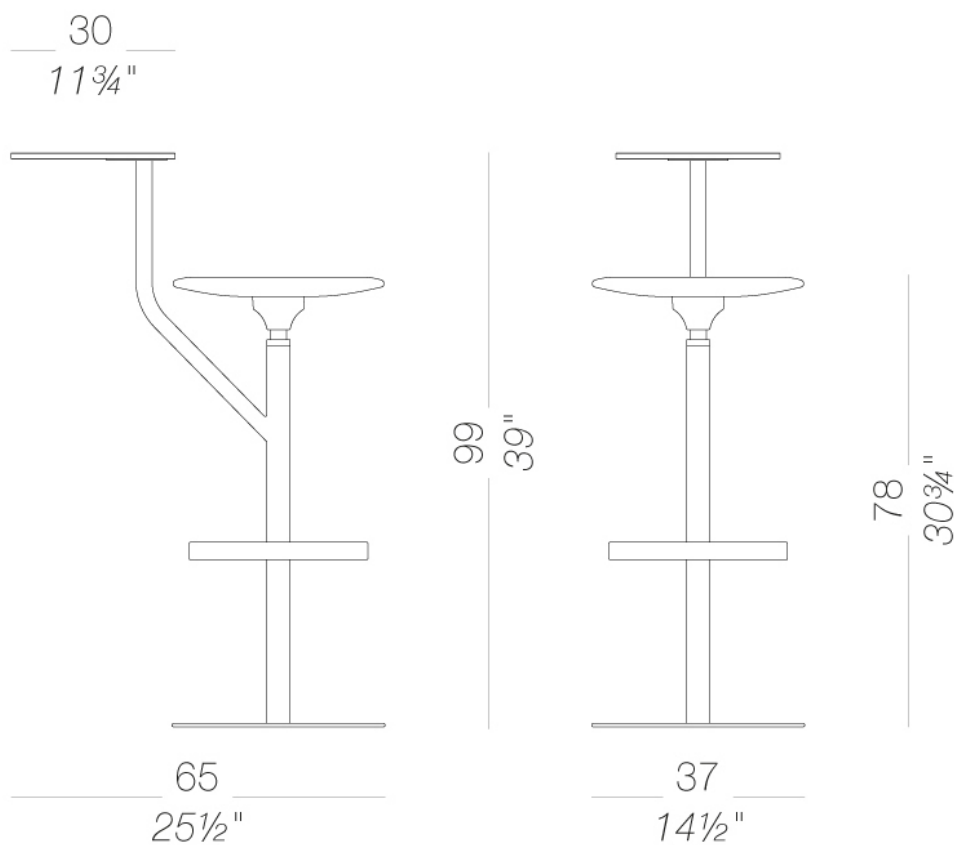
# AARON

Pio & Tito Toso | 2020


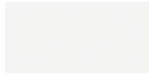






## ES444 | outdoor stool with swivel table top h78 ☀️

Stool with base in stainless steel Aisi 316L polyester powder coated. Swivel seat in solid Iroko wood and off-centre pivoting tablet in aluminium polyester powder coated. Rubber glides under the base.

TEST EN 1728:2012 AC:2013 - EN 16139:2013 - L2



## frame


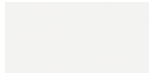






							
powder coating black 1 Colors	powder coating white 1 Colors	powder coating perla 1 Colors	powder coating celeste 1 Colors	powder coating mattone 1 Colors	powder coating caffè 1 Colors	powder coating oliva 1 Colors	powder coating tortora 1 Colors

## seat



wood  
iroko  
1 Colors

## top

							
powder coating black 1 Colors	powder coating white 1 Colors	powder coating perla 1 Colors	powder coating celeste 1 Colors	powder coating mattone 1 Colors	powder coating caffè 1 Colors	powder coating oliva 1 Colors	powder coating tortora 1 Colors

### consult the folder of materials for the range of colors

#### use and maintenance instructions

Iroko is a naturally weather-resistant wood, as it is rich in tannins, making it ideal for outdoor use. When exposed to light, the colour gradually darkens and every variation in grain shade from brown, chestnut brown to dark grey are characteristic of this wood type. The presence of different grain patterns, knots and natural imperfections guarantee the naturalness of the wood and do not constitute any grounds for claims. To prolong the life of Iroko components, clean surfaces regularly, dry them with a clean cloth and remove any stagnant water. To prevent drying out of the surface, small cracks and/or the formation of mould, we recommend treating the wood once a year with specific products for the maintenance of solid wood (recommended product "OLTS7" water-based natural oil from [www.brava.it](http://www.brava.it)). Do not use detergents containing bleach, hydrochloric acid or products containing chloride on any metal parts. Salt, limescale or acid (from coffee, wine, orange juice, tomato juice, lemon, etc.) may discolour stainless steel parts if they are not promptly cleaned. Products or parts made of stainless steel used near the sea or in interior fittings of swimming pools require more frequent cleaning to remove chloride deposits and prevent corrosion and chemical attack of the external surface. Stains on stainless steel surfaces must be promptly cleaned. If left for a long time they can become permanent.

To prolong the life of the product, clean the surfaces regularly, dry them with a clean cloth and remove any stagnant water, especially if exposed in locations with a high level of humidity or a marine climate.

When not in use, we recommend storing in sheltered places and covering with waterproof protection. In this case, it is advisable to remove the cover and ventilate the product frequently and regularly to avoid the onset of any mould or stains due to damp.

THE WARRANTY WILL NOT COVER DEFECTS OR IMPERFECTIONS RESULTING FROM THE PASSAGE OF TIME OR TO WEAR AND TEAR DUE TO THE NORMAL USE OF THE PRODUCT.