

# FORK

Tomoya Tabuchi | 2016





# FORK

Tomoya Tabuchi | 2016

Trees have a story to tell. And in Japanese culture, the tree represents man who lives in harmony with nature. The same roots, the same branches laden with leaves and fruits that open up to the sun. FORK follows this ancient vision of the world, one of the most sensitive to nourishment from generative forces. And with its minimalist design and the extraordinary appeal of its aluminium base, the table, available in two different heights, creates a concert of positive energies around it.

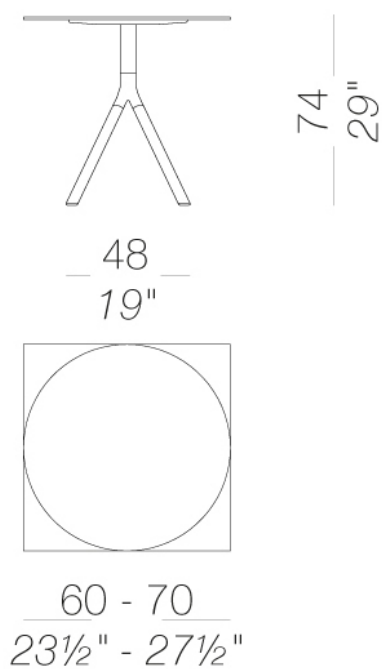


# FORK

Tomoya Tabuchi | 2016

**EP120 | outdoor table with round or square top Ø60÷70 | 60÷70 h74** 

Table with base in drawn aluminium and die-cast joint, powder coated. Top in HPL 10 mm.

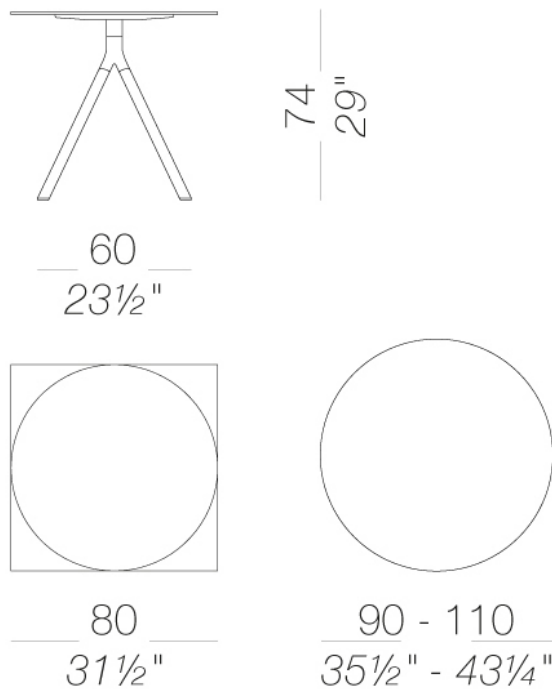


# FORK

Tomoya Tabuchi | 2016

EP124 | outdoor table with round or square top  $\text{Ø}80 \div 90 \div 110$  | 80 H74 ☀️

Table with base in drawn aluminium and die-cast joint, powder coated. Top in HPL 10 mm.

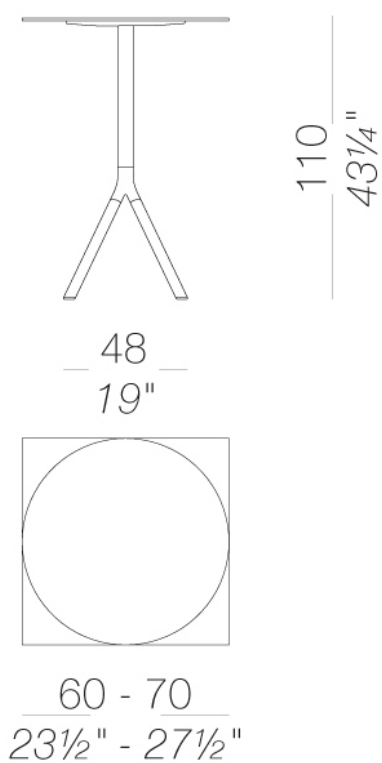


# FORK

Tomoya Tabuchi | 2016

**EP121 | outdoor high table with round or square top Ø60÷70 | 60÷70 H110** ☀️

Table with base in drawn aluminium and die-cast joint, powder coated. Top in HPL 10 mm.

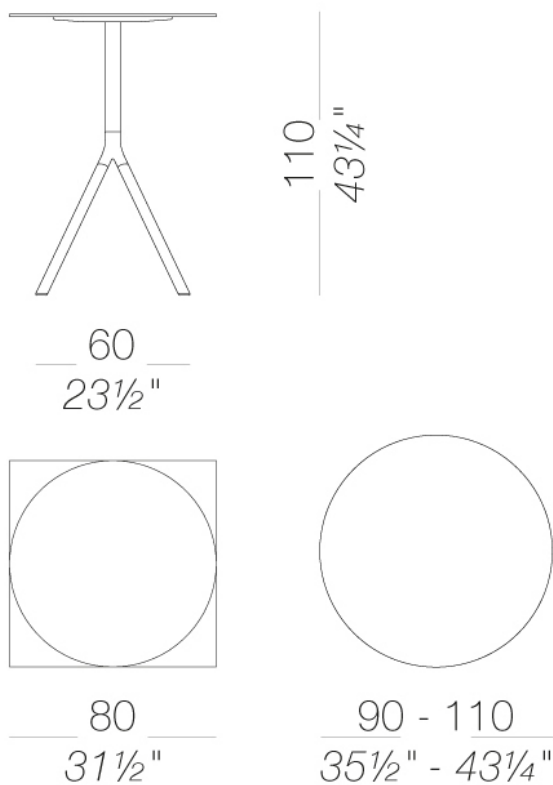


# FORK

Tomoya Tabuchi | 2016

EP125 | outdoor high table with round or square top  $\text{Ø}80 \div 90 \div 110$  | 80 H110 ☀️

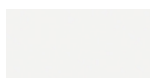
Table with base in drawn aluminium and die-cast joint, powder coated. Top in HPL 10 mm.



## frame



powder coating  
black  
1 Colors

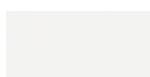


powder coating  
white  
1 Colors

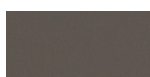
## top



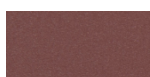
HPL 10 mm  
black HPL fenix  
1 Colors



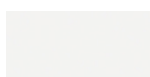
HPL 10 mm  
white HPL fenix  
1 Colors



HPL 10 mm  
HPL fenix grigio  
Londra  
1 Colors



HPL 10 mm  
HPL fenix rosso  
Jaipur  
1 Colors



HPL 10 mm  
HPL H406  
1 Colors

## consult the folder of materials for the range of colors

### use and maintenance instructions

Plastic materials, even if intended for outdoor use, may still be attacked over time by particular atmospheric pollutants (e.g. acid rain, high concentration of PM10, nitrogen oxides, hydrocarbons, etc.). Any changes in the surface and in colours may therefore occur under particular conditions of exposure and cannot be considered grounds for any claims.

Do not use detergents containing bleach, hydrochloric acid or products containing chloride on any metal parts. Salt, limescale or acid (from coffee, wine, orange juice, tomato juice, lemon, etc.) may discolour stainless steel parts if they are not promptly cleaned. Products or parts made of stainless steel used near the sea or in interior fittings of swimming pools require more frequent cleaning to remove chloride deposits and prevent corrosion and chemical attack of the external surface. Stains on stainless steel surfaces must be promptly cleaned. If left for a long time they can become permanent.

To prolong the life of the product, clean the surfaces regularly, dry them with a clean cloth and remove any stagnant water, especially if exposed in locations with a high level of humidity or a marine climate.

When not in use, we recommend storing in sheltered places and covering with waterproof protection. In this case, it is advisable to remove the cover and ventilate the product frequently and regularly to avoid the onset of any mould or stains due to damp.

THE WARRANTY WILL NOT COVER DEFECTS OR IMPERFECTIONS RESULTING FROM THE PASSAGE OF TIME OR TO WEAR AND TEAR DUE TO THE NORMAL USE OF THE PRODUCT.