

LEM 

Shin & Tomoko Azumi | 2000





LEM

Shin & Tomoko Azumi | 2000

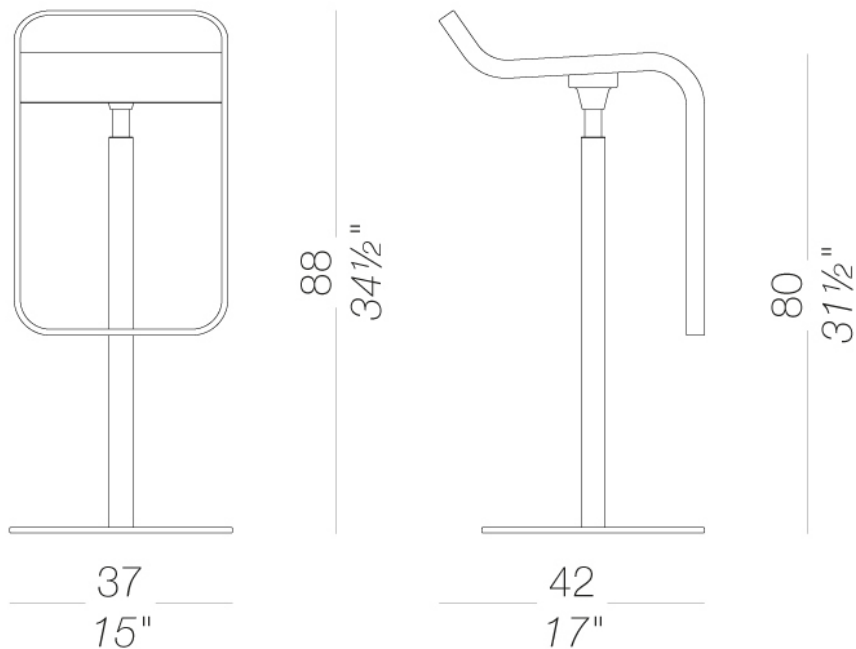
Indoors, it is part of the permanent collection of the Victoria & Albert Museum. Outdoors, it follows in the footsteps of the astronauts that conquered the moon in 1969. It is LEM, named after the Lunar Excursion Module, a symbol of Lapalma's style and a masterpiece of lightness and elegance. As with the absence of gravity, a continuous line encloses all functions in minimalist design. It is almost an atlas of every landscape and every encounter.



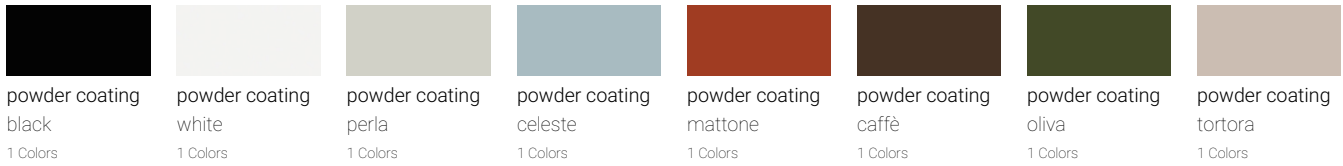
ES81 | outdoor bar stool Swivel stool H80 

Stool with fix height, swivel seat with frame in stainless steel Aisi 316L sandblasted or entirely polyester powder coated. Seat in plywood veneered in Iroko or in integral polyurethane. Rubber glides under the base.

TEST EN 1728:2000 6.2.1-6.2.2 - EN 15373:2007 - L3 severe
TEST DIN 68 877/81 5.6

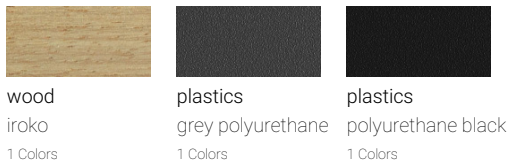


frame



metal
stainless steel
sandblasted
1 Colors

seat



consult the folder of materials for the range of colors

use and maintenance instructions

Iroko is a naturally weather-resistant wood, as it is rich in tannins, making it ideal for outdoor use. When exposed to light, the colour gradually darkens and every variation in grain shade from brown, chestnut brown to dark grey are characteristic of this wood type. The presence of different grain patterns, knots and natural imperfections guarantee the naturalness of the wood and do not constitute any grounds for claims. To prolong the life of Iroko components, clean surfaces regularly, dry them with a clean cloth and remove any stagnant water. To prevent drying out of the surface, small cracks and/or the formation of mould, we recommend treating the wood once a year with specific products for the maintenance of solid wood (recommended product "OLTS7" water-based natural oil from www.brava.it). Plastic materials, even if intended for outdoor use, may still be attacked over time by particular atmospheric pollutants (e.g. acid rain, high concentration of PM10, nitrogen oxides, hydrocarbons, etc.). Any changes in the surface and in colours may therefore occur under particular conditions of exposure and cannot be considered grounds for any claims.

Do not use detergents containing bleach, hydrochloric acid or products containing chloride on any metal parts. Salt, limescale or acid (from coffee, wine, orange juice, tomato juice, lemon, etc.) may discolour stainless steel parts if they are not promptly cleaned. Products or parts made of stainless steel used near the sea or in interior fittings of swimming pools require more frequent cleaning to remove chloride deposits and prevent corrosion and chemical attack of the external surface. Stains on stainless steel surfaces must be promptly cleaned. If left for a long time they can become permanent.

To prolong the life of the product, clean the surfaces regularly, dry them with a clean cloth and remove any stagnant water, especially if exposed in locations with a high level of humidity or a marine climate.

When not in use, we recommend storing in sheltered places and covering with waterproof protection. In this case, it is advisable to remove the cover and ventilate the product frequently and regularly to avoid the onset of any mould or stains due to damp.

THE WARRANTY WILL NOT COVER DEFECTS OR IMPERFECTIONS RESULTING FROM THE PASSAGE OF TIME OR TO WEAR AND TEAR DUE TO THE NORMAL USE OF THE PRODUCT.