

# EDIT

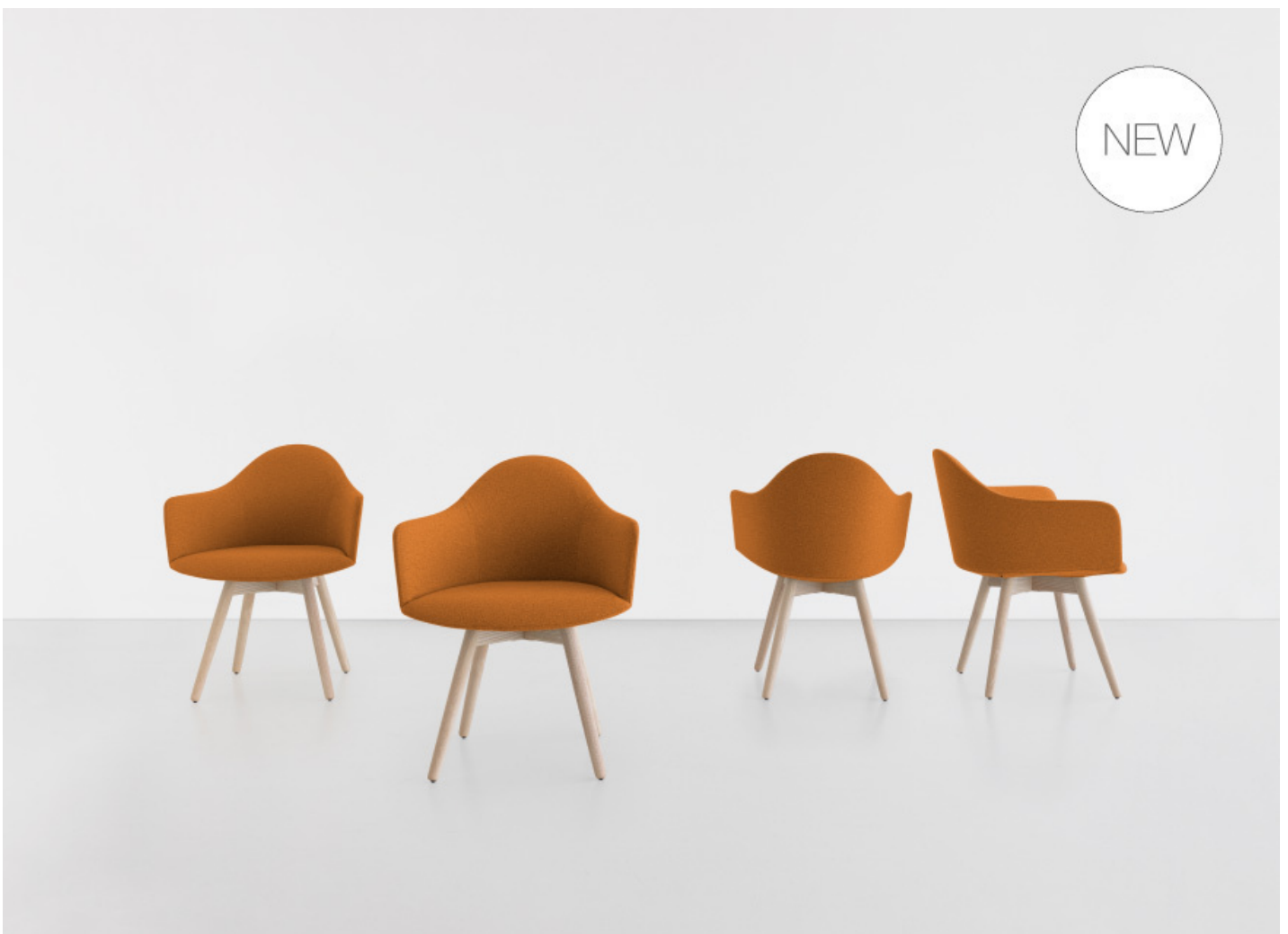
Anderssen & Voll | 2021



# EDIT

Anderssen & Voll | 2021

When we edit a text, we read it again, polish it, remove an adjective and an adverb, and then we have the perfect sentence. Very few elements, yet essential beauty. Like that of the new EDIT armchair, a contemporary reinterpretation of a modernist classic, ideal for the fluid spaces that now merge the office with the home. The Nordic minimalism of Anderssen & Voll is complemented with sinuous Italian lines with extraordinary comfort. Its backrest is a mountain range that protects the body, whereas its shell is a generous sea of softness. With all its components, all recyclable, from the polyurethane shell to the foam upholstery, Lapalma expresses its love and respect for that immense and highly diverse landscape that is the Earth.

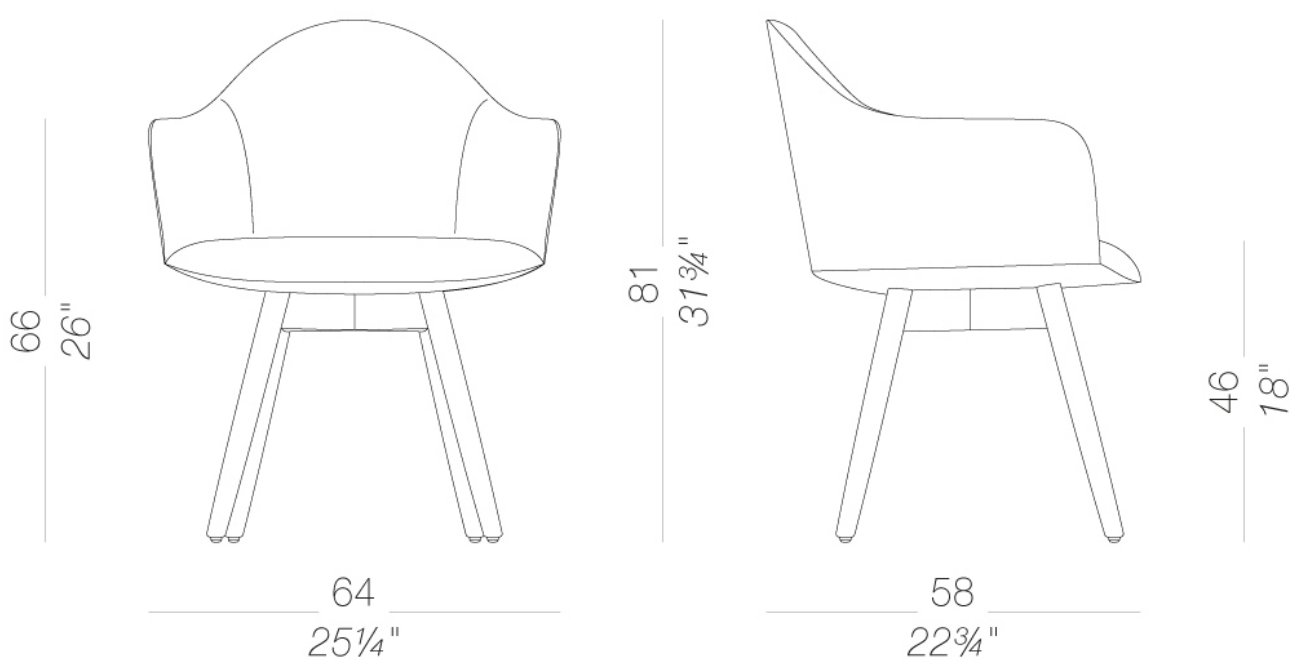


# EDIT

Anderssen & Voll | 2021

## | S570 armchair wooden legs

Chair with shell in rigid polyurethane Baydur® upholstered with injected polyurethane fire retardant foam and covered with fabric without any glue. Legs in solid ash, varnished in several finishes. Glides in polythene.

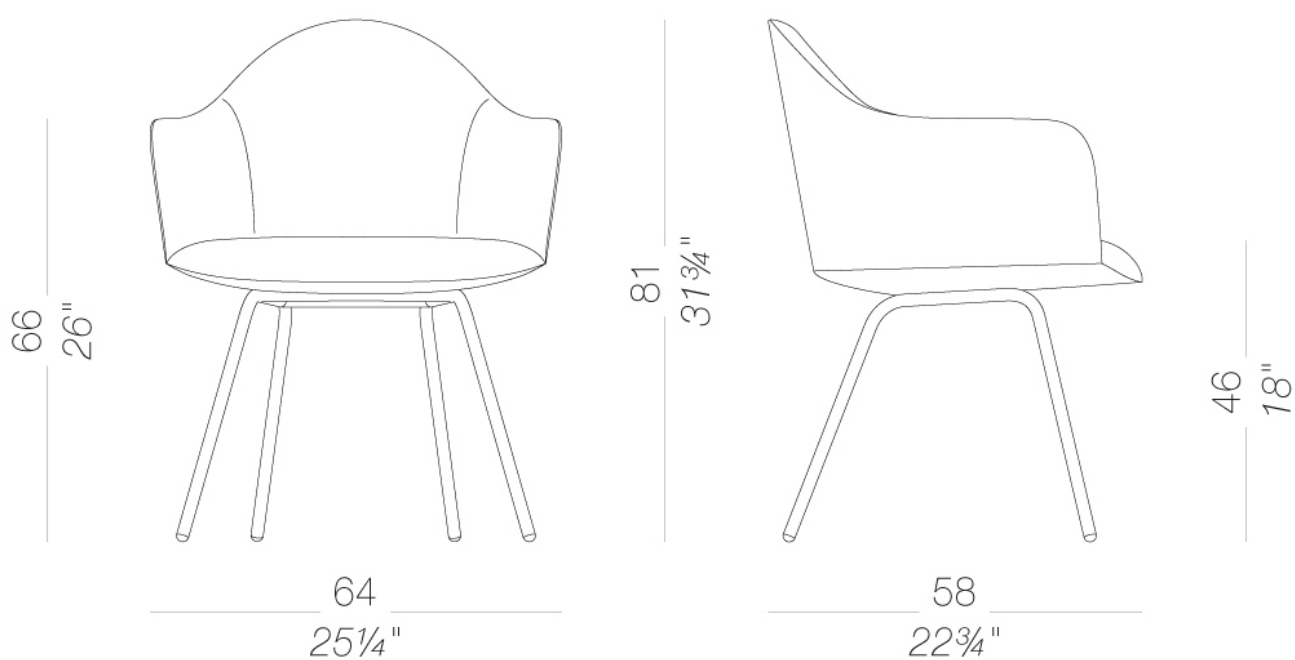


# EDIT

Anderssen & Voll | 2021

## | S571 upholstered armchair metal 4 legs

Chair with shell in rigid polyurethane Baydur® upholstered with injected polyurethane fire retardant foam and covered with fabric without any glue. Legs in steel either powder coated or mat chromed. Glides in polythene.

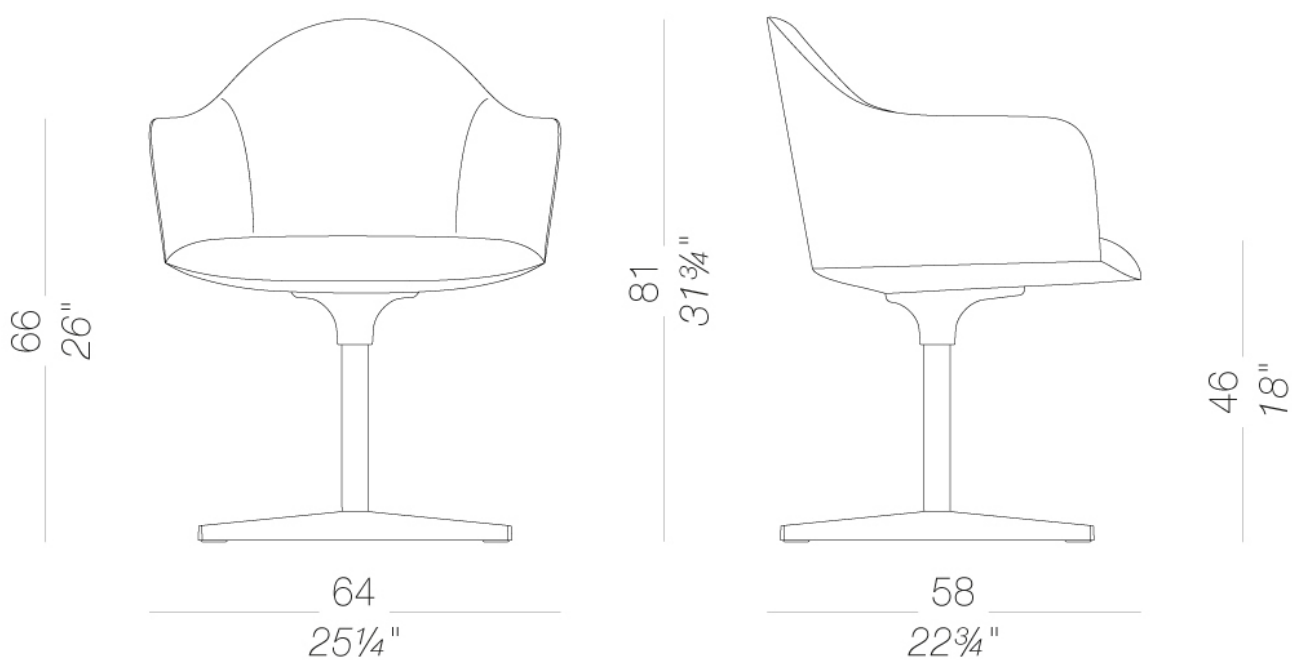


# EDIT

Anderssen & Voll | 2021

## | S572 upholstered armchair with 4 star swivel base

Chair with shell in rigid polyurethane Baydur® upholstered with injected polyurethane fire retardant foam and covered with fabric without any glue. Pivoting star base in aluminium sandblasted or powder coated. Glides in polythene.

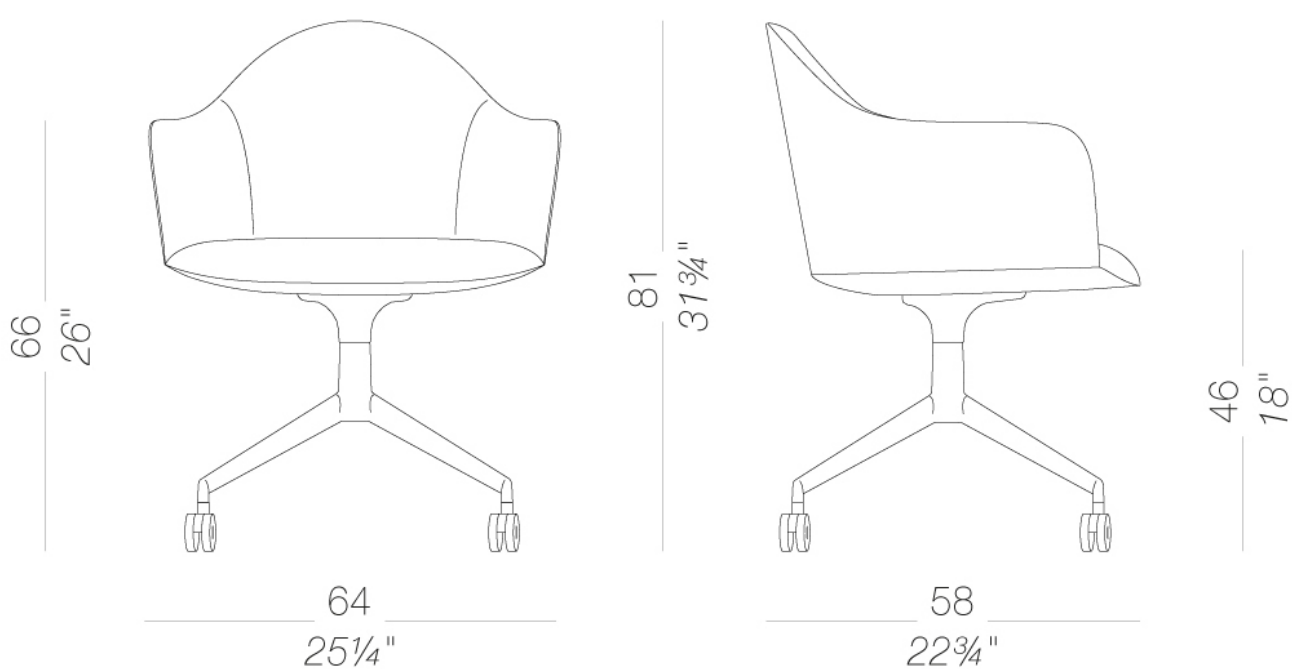


# EDIT

Anderssen & Voll | 2021

## | S573 upholstered armchair with trestle base with castors

Chair with shell in rigid polyurethane Baydur® upholstered with injected polyurethane fire retardant foam and covered with fabric without any glue. Trestle swivel base in aluminium sandblasted or powder coated with self-braking castors.

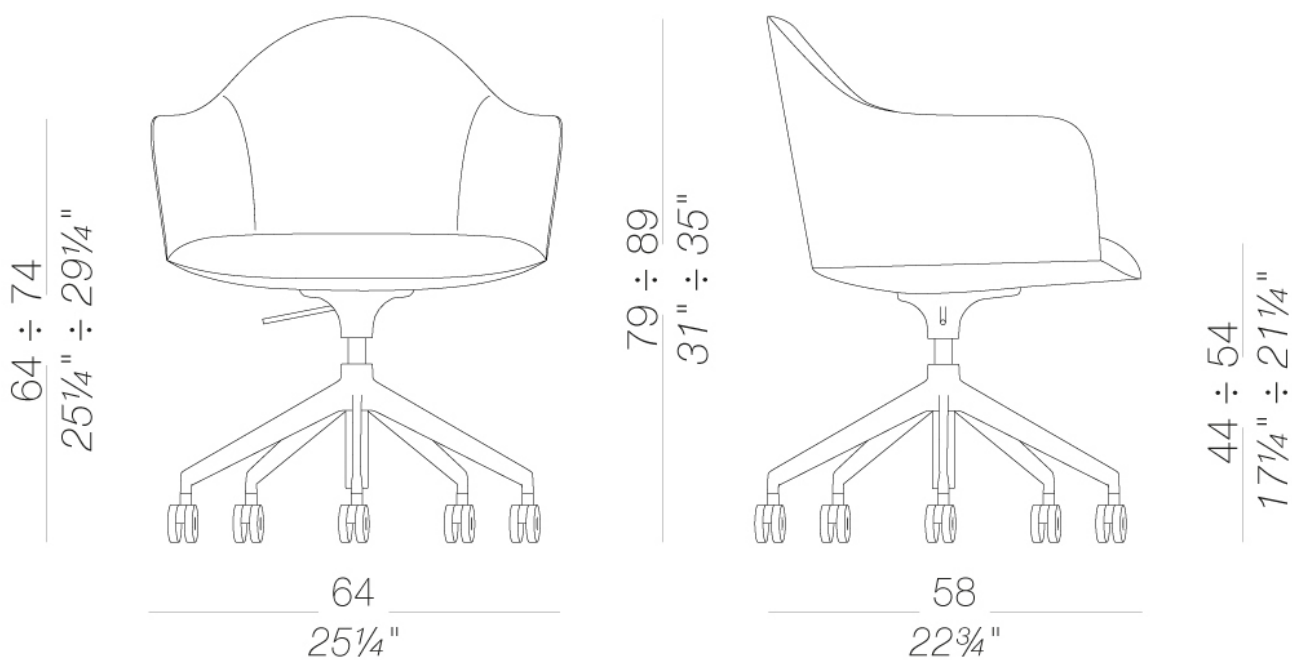


# EDIT

Anderssen & Voll | 2021

## | S574 upholstered armchair with 5 star high base height adjustable

Chair with shell in rigid polyurethane Baydur® upholstered with injected polyurethane fire retardant foam and covered with fabric without any glue. Height adjustable 5 star swivel base in aluminium sandblasted or powder coated with self-braking castors.

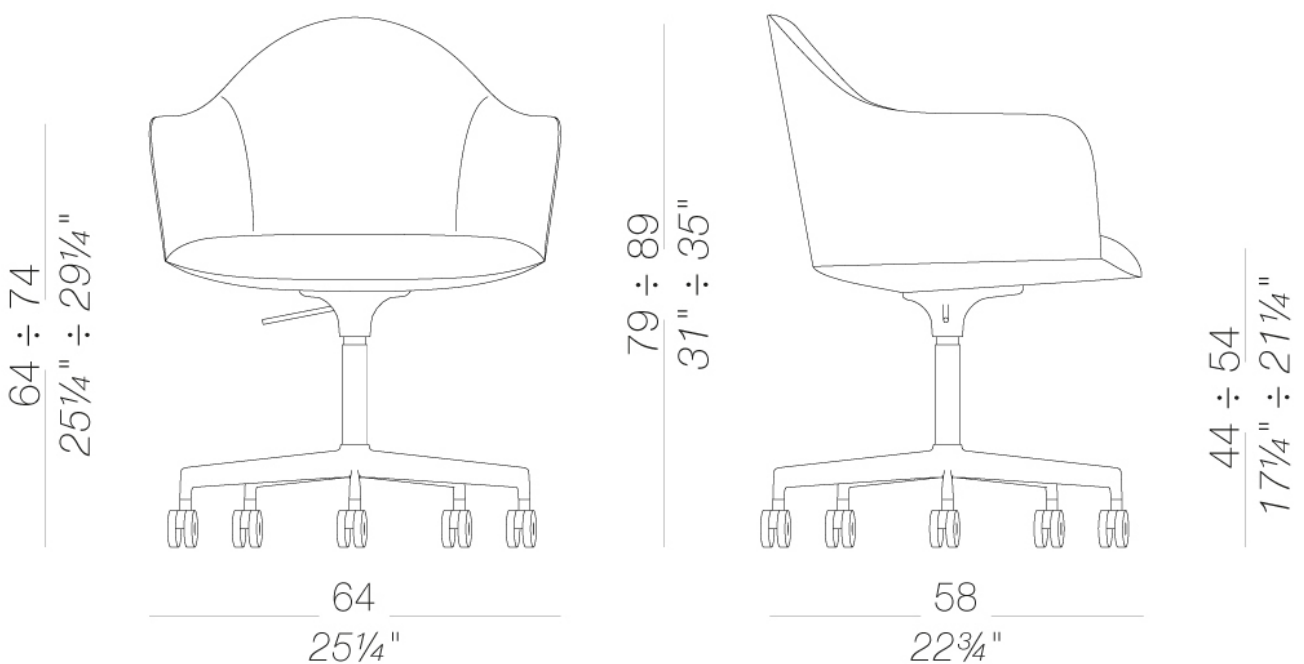


# EDIT

Anderssen & Voll | 2021

## | S575 upholstered armchair base 5 star base height adjustable

Chair with shell in rigid polyurethane Baydur® upholstered with injected polyurethane fire retardant foam and covered with fabric without any glue. Height adjustable 5 star swivel base in aluminium sandblasted or powder coated with self-braking castors.





# EDIT

Anderssen & Voll | 2021

## frame



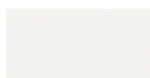
powder coating  
black  
1 Colors



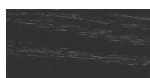
powder coating  
black  
1 Colors



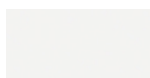
wood  
natural ash  
1 Colors



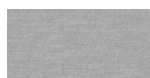
powder coating  
white  
1 Colors



wood  
black open pore  
1 Colors



powder coating  
white  
1 Colors

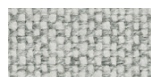


metal  
aluminium  
1 Colors



metal  
mat chromed  
1 Colors

## upholstery



fabric  
Hallingdal 65  
47 Colors



fabric  
Jet  
44 Colors



fabric  
Canvas 2  
40 Colors



fabric  
Maya  
43 Colors



fabric  
Steelcut Trio 3  
48 Colors



fabric  
Remix 3  
24 Colors



fabric  
Medley  
37 Colors



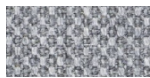
fabric  
Capture  
43 Colors



fabric  
Clara 2  
24 Colors



fabric  
Crisp  
40 Colors



fabric  
Fiord 2  
24 Colors



fabric  
Nattè  
23 Colors



fabric  
Divina MD  
24 Colors



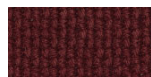
fabric  
Divina Melange 3  
38 Colors



fabric  
Iris  
24 Colors



fabric  
Tonica 2  
39 Colors



fabric  
Lapalma Smart  
18 Colors



fabric  
Steelcut 2  
37 Colors

**consult the portfolio for the range of colors, fabrics, eco-leather, soft-leather.**

## use and maintenance instructions

Clean all parts in wood, leather, fabric and metal with a damp cloth or a diluted neutral cleaner. Do not use cleaners with alcohol, bleach, solvent or abrasive products. Any liquid spilt on the product must be wiped up immediately. When lifting or moving the product, hold it on the structure and not under the seat. The product should not be subjected to unbalanced weights, as it is designed for a proper rest on the foothold (on four legs or on the base). Our company relieves from any responsibility in case of damage caused to fragile floors. Avoid any improper use of the product: do not step on the product, on the footrest or on the armrests. Avoid any movements that could compromise the proper functionality of the product or the safety of the users. Wood and leather, being natural materials, could be easily damaged. Small impurities or imperfections are within quality standard range. Do not expose the product to weather conditions or atmospheric agents, nor to heat sources over 40°C. Also products for outdoor use could be afflicted by atmospheric agents. The product could undergo possible exterior changes due to particular exposure to heat, humidity and saltiness. An appropriate and frequent maintenance and cleaning of the product enhances its durability. The product could change colour and shade, if exposed to direct sunlight. Maintenance has to be carried out by experienced staff. Dispose of the package only after assembling the product, in order to avoid the loss of ironmongery and components. Once the product has been dismantled, the product itself or its components must be given to the public garbage disposal system, according to the legislation in force.