

OIVA

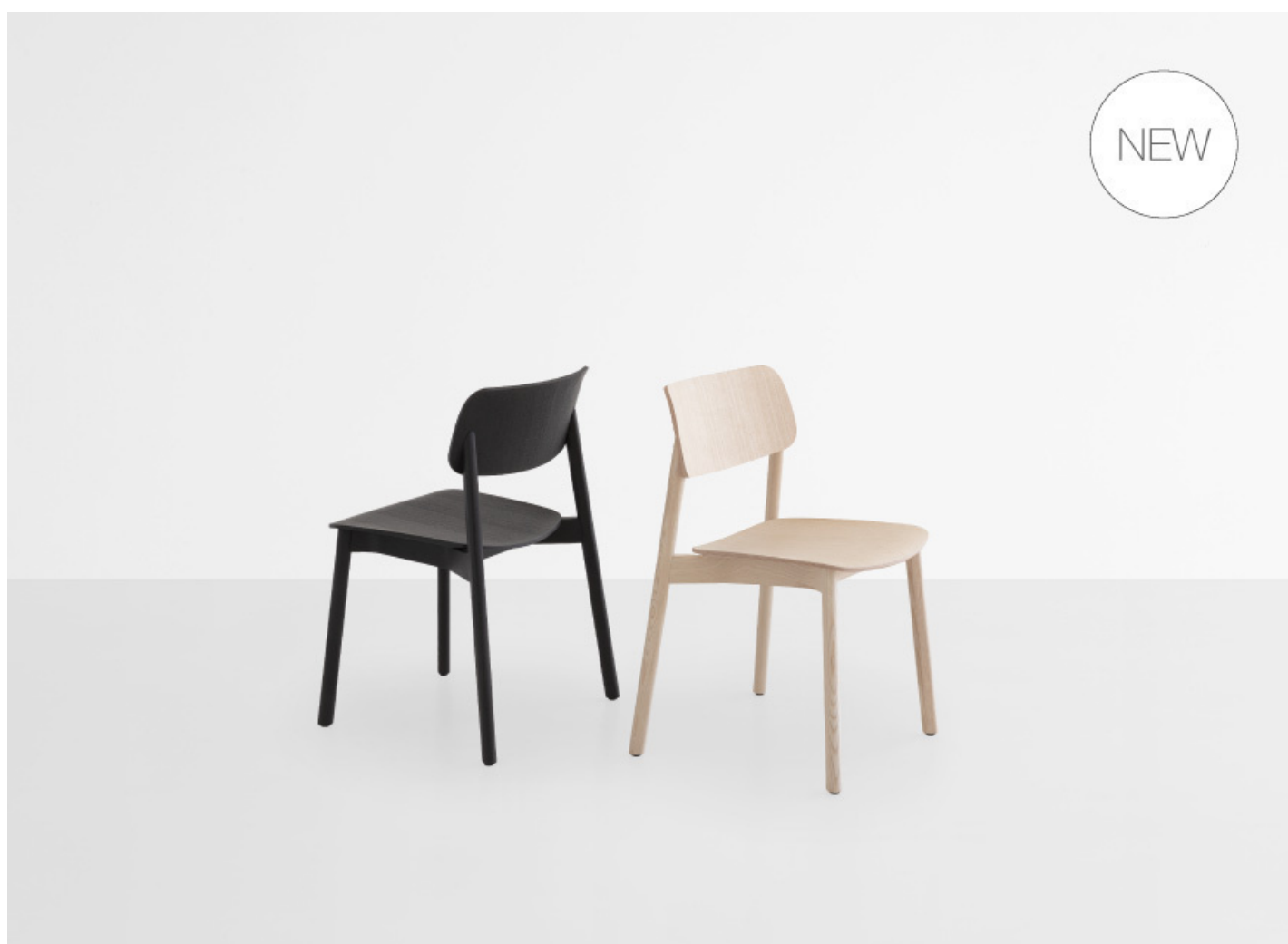
Antti Kotilainen | 2021



OIVA

Antti Kotilainen | 2021

You look at it and feel the taste of good things. Childhood meals, children drawing, bread, lunch with friends while gazing at the clear sky among woodland branches. In Finnish, "OIVA" means all this. It means "something good". It means the new splendid chair that Antti Kotilainen has designed for Lapalma, a redesign of the classic wooden kitchen chair. Memory and invention. Elegant, classic lines, with a wider and more contemporary profile brings harmony to shapes and comfort to all contexts. Recyclable ash plywood is the ultimate raw material, for the frame, seat and backrest. Such is the nature of memories and the nature of elements when they create "something good" together.

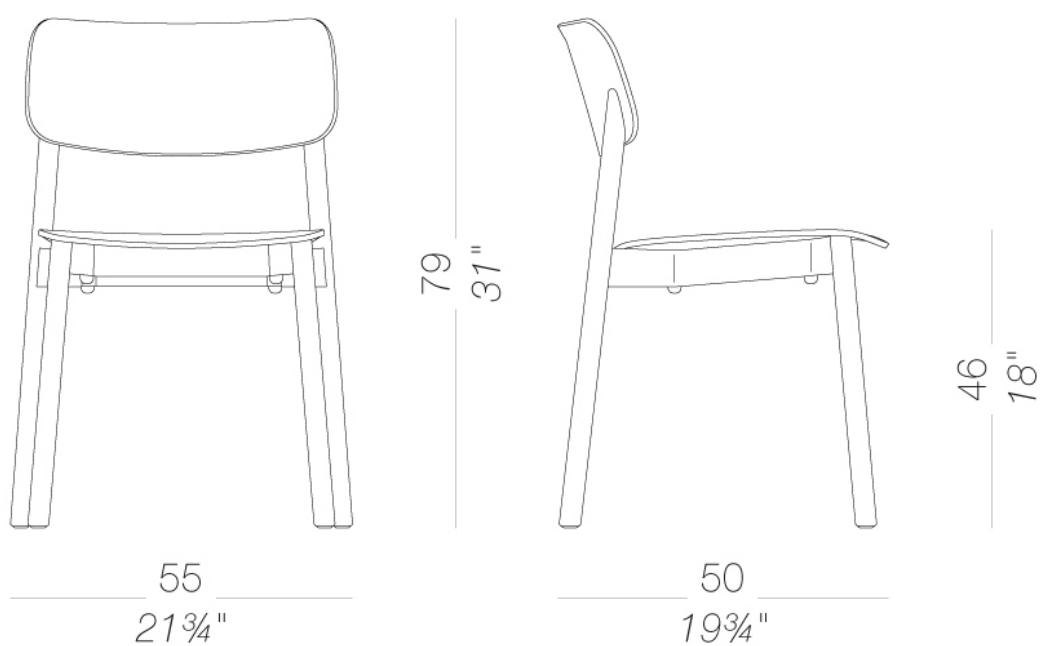


OIVA

Antti Kotilainen | 2021

| S370 4 legs stackable

Stackable chair with frame in solid ash, seat and backrest in curved plywood, varnished in several finishes. Glides in polythene.



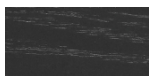
OIVA

Antti Kotilainen | 2021

frame



wood
natural ash
1 Colors

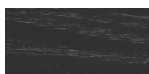


wood
black open pore
1 Colors

seat/back



wood
natural ash
1 Colors



wood
black open pore
1 Colors

consult the portfolio for the range of colors, fabrics, eco-leather, soft-leather.

use and maintenance instructions

Clean all parts in wood, leather, fabric and metal with a damp cloth or a diluted neutral cleaner. Do not use cleaners with alcohol, bleach, solvent or abrasive products. Any liquid spilt on the product must be wiped up immediately. When lifting or moving the product, hold it on the structure and not under the seat. The product should not be subjected to unbalanced weights, as it is designed for a proper rest on the foothold (on four legs or on the base). Our company relieves from any responsibility in case of damage caused to fragile floors. Avoid any improper use of the product: do not step on the product, on the footrest or on the armrests. Avoid any movements that could compromise the proper functionality of the product or the safety of the users. Wood and leather, being natural materials, could be easily damaged. Small impurities or imperfections are within quality standard range. Do not expose the product to weather conditions or atmospheric agents, nor to heat sources over 40°C. Also products for outdoor use could be afflicted by atmospheric agents. The product could undergo possible exterior changes due to particular exposure to heat, humidity and saltiness. An appropriate and frequent maintenance and cleaning of the product enhances its durability. The product could change colour and shade, if exposed to direct sunlight. Maintenance has to be carried out by experienced staff. Dispose of the package only after assembling the product, in order to avoid the loss of ironmongery and components. Once the product has been dismantled, the product itself or its components must be given to the public garbage disposal system, according to the legislation in force.