

# BUBLING



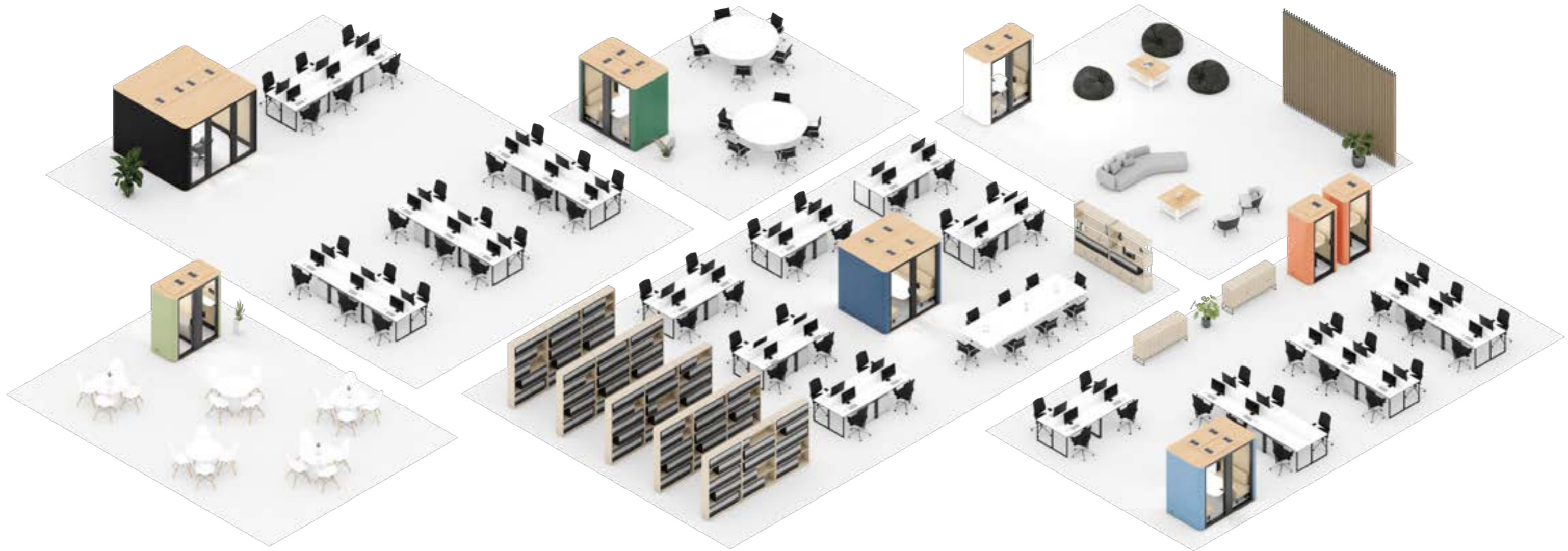
# A SPACE FOR EVERYONE



BUBLIING enhances the environments where people work by reducing noise and privacy issues in offices and other spaces. Since 2018, we have been dedicated to creating more comfortable, attractive, and functional products, believing that with them, people can achieve more and perform better. Our product family is made from durable and renewable materials, designed for a long lifespan and sustainability. Committed to finding solutions for success in the workplace, we are strongly focused on researching and developing the best options, always responding to the needs of our users.







## A SPACE FOR EVERYONE

# THE NEW ERA IN THE WORKPLACE

Office design is currently undergoing rapid and constant transformation. This change is not just a temporary response to recent events but a reflection of broader shifts in the world of work. In recent years, open-space offices have been promoted as the ideal work environments, a trend driven primarily by cost savings. With the rise of remote and flexible work, offices have had to reinvent themselves, offering more dynamic, adaptable spaces that are primarily focused on people and their needs.

Investing in the basics is crucial when redefining modern offices. Making them resemble a home-like environment has not only become the most widely used strategy for attracting employees worldwide but also enhances productivity and well-being. However, with technological advancements and the rise of hybrid teams, workdays are increasingly filled with virtual meetings, making open-space offices less efficient and productive due to increased noise and lack of privacy. This negatively impacts both productivity and individual satisfaction within



According to *Passive Secrets*, it is estimated that 75% of workers face distractions in the workplace, significantly harming productivity. Studies show that distractions can reduce productive time to less than 60%.

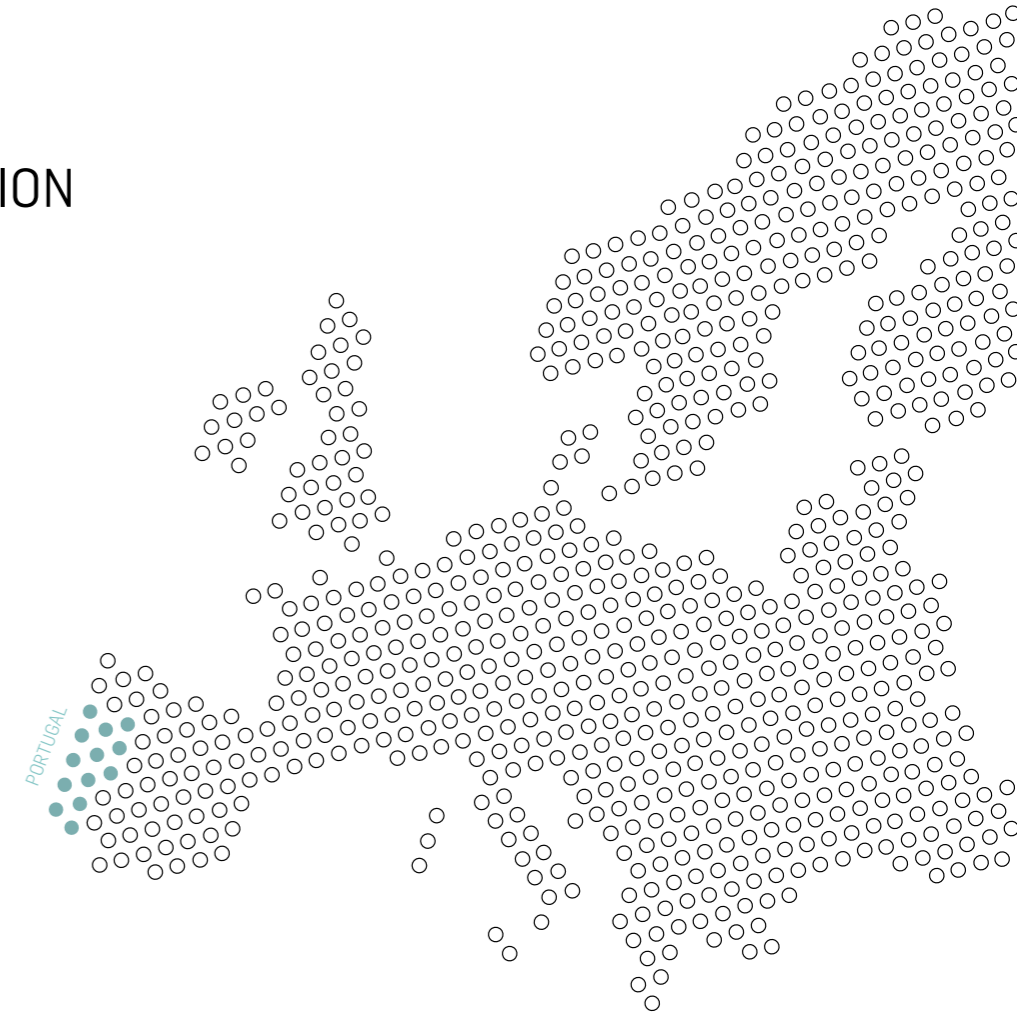
organizations. The biggest challenge for companies is finding a balance between promoting collaborative work while also providing conditions that ensure individuality and concentration for their employees. The future of offices lies in a combination of open spaces, private zones for focus and privacy, and social areas that foster creativity and innovation. Each employee has different needs: while some thrive in constant idea exchange within social environments, others require quieter spaces where they can concentrate more intensely on individual tasks

The harmony between individual well-being and collective performance is essential for a company to achieve high levels of efficiency and sustainability. Offices should be spaces that people want to return to, not out of obligation, but from a genuine desire to work for the company. When the environment is welcoming, inspiring, and centered on the individual, a natural bond is created between the employee and the organization.



## A SPACE FOR EVERYONE

# OUR IDEAL SOLUTION



We all know how the mind loses focus and clarity after hours of work and constant distractions. How many times have you had to search for meeting rooms at the last minute, quiet spaces to take calls, or simply an area to focus without distractions?

BUBLIING is a brand designed and produced in Portugal, born out of a real and personal need. The problem was clear to us, which is why in 2018, we began designing our first BUBLIING.

We wanted to create a solution that provided the comfort necessary to focus. A space where we could be creative without distractions.

A space where we could do more and do it better. Since then, our main focus has been to create spaces where people can feel like the best version of themselves.

And we succeeded. We now offer several models that are the result of a perfect combination of advanced technology, high-quality materials, and user-focused design.

Each BUBLIING is a personal retreat, ideal for calls, meetings, or simply moments of concentration. We know that a harmonious work environment makes all the difference in productivity and well-being. That's why we have been committed, from the very beginning, to producing products that truly transform your workspace and make a difference.

WELCOME TO YOUR BUBLIING.

#### SOUNDPROOF - CLASS A

# >30dB

Guaranteed reduction in speech level according to the ISO 23351-1 testing method, with one of the best ratings in the industry.

#### SPECIFIC AIRFLOW RATE

# 21,3 h<sup>-1</sup>

Value determined in the laboratory according to the ISO 12569:2017.  
The air is renewed, on average, every 5.6 minutes.  
In standby mode, the system activates for 10 minutes per hour.

#### LIGHTING

# 3500K-4000K

Adjustable lighting with LED temperature 3500K-4000K. Lighting up to 500 lux on the table.

#### A SPACE FOR EVERYONE

## THE FIRST STEP TO SILENCE AND FOCUS.

#### SIMPLICITY

We designed BUBLIING with the goal of simplifying everything to ensure an uncomplicated and satisfying experience. That's why we developed a modular design that allows for quick and intuitive assembly, ensuring not only practicality but also durability and comfort.

#### UNIVERSAL

Design crafted to adapt to various scenarios and be personalized according to your preferences. For us, there are two limitless truths: your creativity and our ability to meet your desires and needs.

We aim to offer solutions that go beyond your expectations, creating environments that truly represent your vision.

#### PRIVACY

Soundproof spaces, tested in accredited laboratories, ensure privacy and comfort, providing an ideal environment for productive work, phone calls, or virtual meetings. These acoustic isolation solutions create a distraction-free space, allowing clear and effective communication, which is essential for your daily performance.

#### COMFORT

Features such as ventilation, lighting, and acoustics are essential factors for user comfort and well-being. The continuous improvement of these elements and the constant pursuit of new solutions and technologies are among our main focuses.

#### CONNECTIVITY

The interior of BUBLIING has been designed in detail to provide everything you need, including connectivity. It is equipped with strategically placed power outlets and suitable supports for your meetings and video conferences, ensuring that communication is smooth and efficient.

#### ECONOMIC

A BUBLIING has lower costs compared to building a traditional, fixed meeting room. Additionally, assembly is quick, and its flexibility allows it to easily adapt to different spaces. With replaceable parts and the possibility of being transported during relocations, it offers a practical, economical, and sustainable solution without compromising functionality and comfort.



A SPACE FOR EVERYONE  
WORK WELL, LIVE BETTER

S



### **A SPACE FOR 1 PERSON**

Being the smallest of all models, it is perfect for providing you with full privacy for your phone calls, video meetings, or other small individual tasks.

EXT 1206x1006x2261 mm    INT 914x974x2060 mm  
EXT 47,48x39,61x89,00 in    INT 35,98x38,35x81,10 in



MODEL | BUBLIING S

# SMALL IN SIZE, HUGE IN SOLUTIONS.



## GUARANTEED PRIVACY

Structure with a workspace that offers acoustic insulation >30dB Class A.

This ensures that external noise won't disturb you, and due to its internal acoustics, it provides a private and comfortable space.



## ENHANCED VENTILATION

Ventilation system with adjustable airflow that can be quickly and intuitively controlled according to your needs. In standby mode, the fans operate for 10 minutes per hour to ensure the air is always refreshed.



## AUTOMATIC LIGHTING

LED lighting that can also be easily and quickly adjusted between 3500K-4000K according to your needs. BUBLIING detects when it is occupied and automatically notifies with a presence indicator, green or red.



## UNLIMITED CONNECTIVITY

It offers 1 standard SCHUKO outlet and 1 USB-C port, ensuring you are always connected, whether for charging your devices or using electronic appliances with ease. Always ensure full control with a 7-inch integrated control screen.

**BUBLIING S | STANDARD FURNITURE**



**HIGH TABLE**  
740x400x1050 mm.  
29,13x15,75x41,34 in.



**COAT HOOK**  
1 unit at 1900 mm / 78,80 in.

**BUBLIING S | OPTIONAL FURNITURE**



**LOW TABLE**  
740x400x730 mm.  
29,13x15,75x28,74 in.



**HIGH STOOL WITH FOOTREST**  
340x420x520-750 mm.  
13,40x16,50x20,74-29,53 in.



**SOFA FOR 1 PERSON**  
730x570x450 mm.  
28,74x22,44x17,72 in.



**BACKREST**  
570x145x760 mm.  
22,44x5,71x29,92 in.



**LIFT TABLE SYSTEM**  
Height adjustable between  
730-1200 mm / 28,74-47,24 in.



**SOFA CUSHION**  
500x300 mm.  
19,69x11,81 in.

**BUBLIING S | STANDARD FEATURES**



**CONNECTIVITY**  
1x Schuko socket 220V-240V.  
1x USB-C port 12W.



**DIGITAL CONTROL SCREEN**  
7-inch integrated.



**PRESENCE INDICATORS**  
LED in red or green light.  
2 units.

**BUBLIING S | OPTIONAL FEATURES**



**CASTERS**  
High load capacity.  
Adjustment is done from the inside.



**DOOR CLOSER**  
Metal hydraulic system for door closing.



**FACE LIGHT**  
Adjustable up to 350 lux on the user's face.



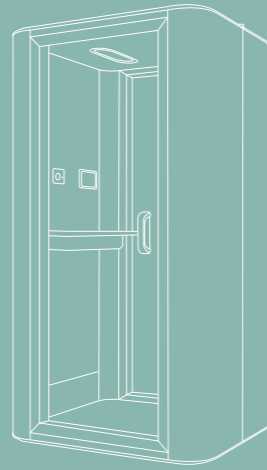
**WIRELESS CHARGER**  
Invisible on the work table.  
10W power.



**BUBLIING FRESH AIR**  
Non-adjustable and noise-free system.



**CO<sub>2</sub> AND HUMIDITY SENSOR**  
Air quality information on the Digital Control Screen.



**MODEL BUBLILING S**  
TECHINICAL SPECIFICATIONS



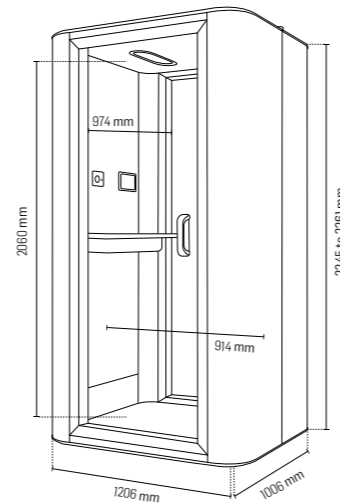
## BUBLIING S | TECHNICAL SPECIFICATIONS

### GENERAL DESCRIPTION

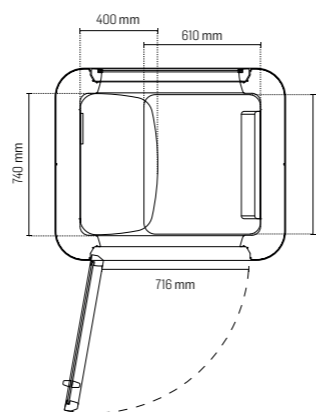
<b>Dimensions</b>	<p><b>Exterior:</b> 1206x1006x2245 to 2261 mm / 47,48x39,61x88,39 to 89,00 in.  <b>With casters:</b> + 52 mm / 2,05 in.  <b>With Bubliing Fresh Air:</b> + 50 mm / 1,97 in.  <b>Interior:</b> 914x974x2060 mm / 35,98x38,35x81,10 in.  <b>Entrance height:</b> 86 mm / 3,39 in.  <b>With casters:</b> 138 mm / 5,43 in.  <b>The door:</b> 2108x826 mm / 82,99x32,52 in.  <b>Entrance area:</b> 716 mm / 33,19 in.</p>
<b>Standard weight</b>	360 kg / 794 lb.
<b>Acoustics</b>	<p><b>Class A</b>   <math>D_{BA} &gt; 30</math> dB.          Guaranteed speech level reduction according to the ISO 23351-1 test method, with one of the best ratings in the industry.</p>
<b>Sound production</b>	<p>Sound impact produced by the ventilation system.  <b>Interior:</b> 36 dB at head height.  <b>Exterior:</b> 25 dB at a distance of 1 meter.          Test conducted according to ISO 11201:2010.</p>
<b>Fan airflow</b>	<p><b>Airflow:</b> 280,4 m<sup>3</sup>/h (2 fans).          The air is renewed, on average, every 5,6 minutes.          In standby mode, the system runs for 10 minutes per hour.          The airflow can be manually adjusted.</p>
<b>Lighting</b>	<p><b>Ceiling light:</b> LED lighting with a color temperature of 3500K-4000K.  <b>Face light:</b> LED lighting with a color temperature of 3500K-4000K.          Lighting is automatic and can be manually adjusted.</p>
<b>Presence indicators</b>	Exterior LED sensor technology with red or green light.
<b>Mobility</b>	<p>High-strength adjustable leveling feet inside the cabin.          Move the BUBLIING without disassembly by adding casters (optional).          Retract the leveling feet for movement and lower them again when in the final position.</p>

### MATERIALS

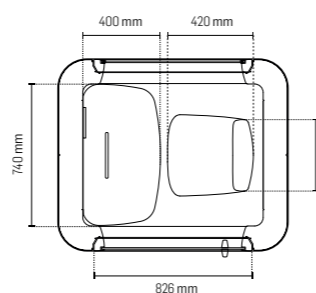
<b>Exterior</b>	<p><b>Exterior panels:</b> Made of replaceable thermolacquered steel available in 10 colors.  <b>Frame and door:</b> Ambidextrous, made of matte black RAL 9005 lacquered aluminum, with invisible pivot hinge.  <b>Handle:</b> Black.  <b>Glass:</b> 8 mm / 0,31 in clear acoustic glass.</p>
<b>Interior</b>	<p><b>Structure:</b> Metal frame, wood, and recycled acoustic foam.  <b>Upholstery:</b> 100% polyester fabric available in 12 colors.  <b>Flooring:</b> 100% polyamide carpet available in 4 colors.  <b>Table:</b> Top and lower box made of birch plywood coated with white thermolaminate, black anti-fingerprint, or wood imitation.</p>
<b>Standard furniture</b>	<p><b>Table dimensions:</b> 740x400x1050 mm / 29,13x15,75x41,34 in.          Table height can be 730 or 1050 mm / 28,74 or 41,34 in.          Maximum load for the table is 50 kg / 110,23 lb.  <b>Coat hook (1):</b> Black lacquered, at 1900 mm / 78,80 in.</p>
<b>Optional furniture</b>	<p><b>Height-adjustable lift table system:</b> Between 730-1200 mm / 28,74-47,24 in. Maximum load for the lift table is 40 kg / 88,18 lb.  <b>Sofa:</b> 730x610x450 mm / 28,74x24,02x17,72 in.  <b>High stool with footrest:</b> 340x420x520-750 mm / 13,40x16,50x20,74-29,53 in.  <b>Backrest:</b> 570x145x760 mm / 22,44x5,71x29,92 in.          These options are upholstered in 100% polyester fabric available in 12 colors. Maximum load for the seat is 135 kg / 297,62 lb.  <b>Sofa cushion:</b> 500x300 mm / 19,69x11,81 in upholstered in 100% polyester fabric available in 12 colors.</p>



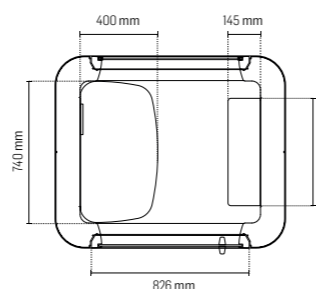
With sofa:



With high stool:



With backrest:



## BUBLIING S | TECHNICAL SPECIFICATIONS

### TOLERANCES

<b>Manufacturing</b>	The parts undergo dimensional quality control, with a permissible linear variation of $\pm 3/1000$ mm. This tolerance applies proportionally to the total length, allowing for minor cumulative deviations.
----------------------	---

### FEATURES

<b>Digital Control</b>	7-inch integrated digital control screen. Displays the total lifetime usage of the BUBLIING and individual usage time.
<b>Options</b>	<p><b>Door Closer:</b> Metal hydraulic system for door closing.  <b>Casters:</b> High load capacity. Adjustment of casters and leveling feet is done from inside the BUBLIING.  <b>Wireless charger:</b> Invisible on the table, with 10W power.  <b>Face light:</b> Adjustable up to 350 lux on the user's face.  <b>Bubliing Fresh Air:</b> Non-adjustable and noise-free system.  <b>CO<sub>2</sub> and humidity sensor:</b> Air quality information displayed on the Digital Control Screen.</p>

### POWER

<b>Electrical Equipment</b>	<p>1x Schuko socket 220V-240V.          1x USB-C port 12W.          Additional ports: USB-A port; RJ45 network socket.</p>
<b>Standard Consumption</b>	30 W.
<b>Standby Consumption</b>	0,74 W.
<b>Equipment Power</b>	AC output (electric socket); 100-240 VAC, 16 A, 50-60 Hz.
<b>Charger Output</b>	12W USB-C output.

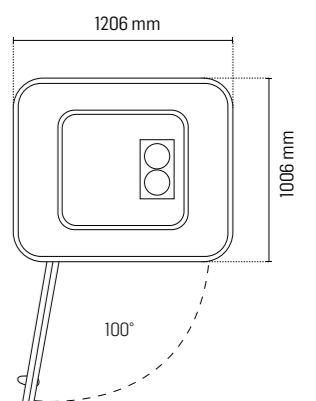
### SAFETY

<b>Fire Resistance</b>	<p>All upholstery, covering materials, and acoustic materials used in our products are tested and rated according to national or international standards.</p> <p>Fabrics: EN 13501-1 Adhered Class B, s1, d0.          Foams: ISO 3795.          Carpet: EN 13501-1 Cfl – s1.          Wood: EN 13986, Class D-s2, d0.</p>
------------------------	--

<b>Seismic Resistance</b>	The BUBLIING can be supplied with a system that allows floor anchoring, available for seismic regions.
---------------------------	--

### SPACE AND INSTALLATION

<b>Required Space</b>	<p>The width of the BUBLIING is 1006 mm / 39,61 in. With the door opened at 100°, an additional 826 mm / 32,52 in should be considered.          To ensure proper ventilation, a minimum clearance of 150 mm / 5,91 in, is recommended above and on the sides.</p>
<b>Installation Space</b>	Installation requires 500 mm / 19,69 in of clearance around the BUBLIING.
<b>Leveling</b>	The floor must not have a deviation greater than $\pm 8$ mm / $\pm 0,31$ in.
<b>Assembly</b>	<p><b>Estimated assembly time:</b> <math>\pm 45</math> minutes.  <b>Number of people:</b> 2 persons.</p>





### **A TWICE SPACE FOR 1 PERSON**

Combines two BUBLIING units, allowing two people to use them simultaneously and individually, performing tasks without compromising privacy while optimizing space.

EXT 2006x1006x2261 mm    INT 778x974x2060 mm  
EXT 78,98x39,61x89,00 in    INT 30,63X38,31X81,10 in



MODEL | BUBLIING Stwin

# TWICE THE PRIVACY, THE SAME EFFICIENCY.



## GUARANTEED PRIVACY

Structure with a workspace that offers acoustic insulation >30dB Class A.

This ensures that external noise won't disturb you, and due to its internal acoustics, it provides a private and comfortable space.



## ENHANCED VENTILATION

Ventilation system with adjustable airflow that can be quickly and intuitively controlled according to your needs. In standby mode, the fans operate for 10 minutes per hour to ensure the air is always refreshed.



## AUTOMATIC LIGHTING

LED lighting that can also be easily and quickly adjusted between 3500K-4000K according to your needs. BUBLIING detects when it is occupied and automatically notifies with a presence indicator, green or red.



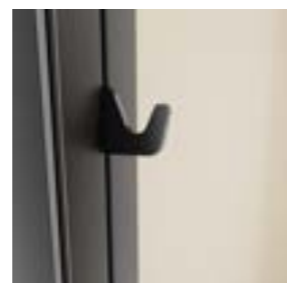
## UNLIMITED CONNECTIVITY

It offers 1 standard SCHUKO outlet and 1 USB-C port in each space, ensuring you are always connected, whether for charging your devices or using electronic appliances with ease. Always ensure full control with a 7-inch integrated control screen.

## BUBLIING S TWIN | STANDARD FURNITURE



**HIGH TABLE**  
740x350x1050 mm.  
29,13x13,78x41,34 in.



**COAT HOOK**  
1 unit at 1900 mm / 78,80 in, in  
each space.

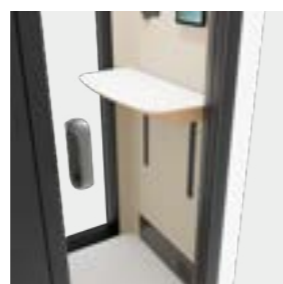
## BUBLIING S TWIN | OPTIONAL FURNITURE



**HIGH STOOL WITH FOOTREST**  
340x420x520-750 mm.  
13,40x16,50x20,74-29,53 in.



**BACKREST**  
570x145x760 mm.  
22,44x5,71x29,92 in.



**LIFT TABLE SYSTEM**  
Height adjustable between  
730-1200 mm / 28,74-47,24 in.

## BUBLIING S TWIN | STANDARD FEATURES



**CONNECTIVITY**  
In each space:  
1x Schuko socket 220V-240V.  
1x USB-C port 12W.



**DIGITAL CONTROL SCREEN**  
7-inch integrated.



**PRESENCE INDICATORS**  
LED in red or green light.  
2 units.

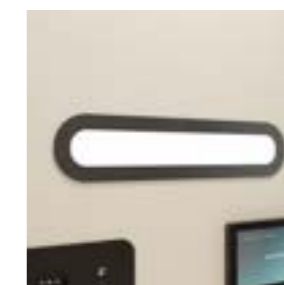
## BUBLIING S | OPTIONAL FEATURES



**CASTERS**  
High load capacity.  
Adjustment is done from the inside.



**DOOR CLOSER**  
Metal hydraulic system for door  
closing.



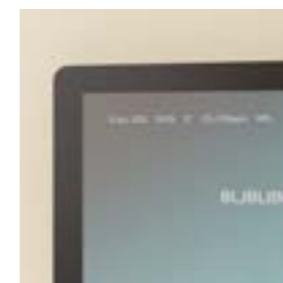
**FACE LIGHT**  
Adjustable up to 350 lux on the  
user's face.



**WIRELESS CHARGER**  
Invisible on the work table.  
10W power.



**BUBLIING FRESH AIR**  
Non-adjustable and noise-free  
system.



**CO<sub>2</sub> AND HUMIDITY SENSOR**  
Air quality information on the  
Digital Control Screen.



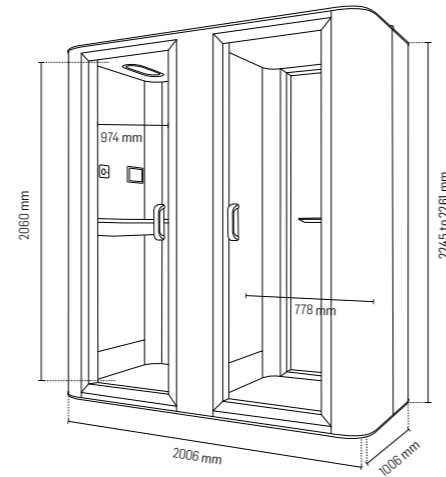
**MODEL BUBLIING Stwin**  
TECHINICAL SPECIFICATIONS



## BUBLIING S TWIN | TECHNICAL SPECIFICATIONS

### GENERAL DESCRIPTION

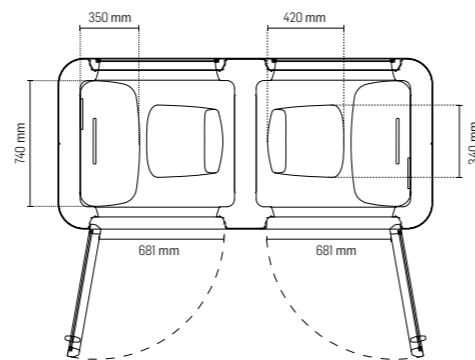
<b>Dimensions</b>	<p><b>Exterior:</b> 2006x1006x2245 to 2261 mm / 78,98x39,61x88,39 to 89,00 in.  <b>With casters:</b> + 52 mm / 2,05 in.  <b>With Bubliing Fresh Air:</b> + 50 mm / 1,97 in.  <b>Interior:</b> 778x974x2060 mm / 30,63x38,35x81,10 in.  <b>Entrance height:</b> 86 mm / 3,39 in.  <b>With casters:</b> 138 mm / 5,43 in.  <b>The door:</b> 2108x790 mm / 82,99x31,10 in.  <b>Entrance area:</b> 681 mm / 26,81 in.</p>
<b>Standard weight</b>	590 kg / 1300 lb.
<b>Acoustics</b>	<p><b>Class A</b>   <math>D_{B,A} &gt; 30</math> dB.          Guaranteed speech level reduction according to the ISO 23351-1 test method, with one of the best ratings in the industry.</p>
<b>Sound production</b>	<p>Sound impact produced by the ventilation system.  <b>Interior:</b> 36 dB at head height.  <b>Exterior:</b> 25 dB at a distance of 1 meter.          Test conducted according to ISO 11201:2010.</p>
<b>Fan airflow</b>	<p><b>Airflow:</b> 560,8 m<sup>3</sup>/h (4 fans).          The air is renewed, on average, every 5,6 minutes.          In standby mode, the system runs for 10 minutes per hour.          The airflow can be manually adjusted.</p>
<b>Lighting</b>	<p><b>Ceiling light:</b> LED lighting with a color temperature of 3500K-4000K.  <b>Face light:</b> LED lighting with a color temperature of 3500K-4000K.          Lighting is automatic and can be manually adjusted.</p>
<b>Presence indicators</b>	Exterior LED sensor technology with red or green light.
<b>Mobility</b>	<p>High-strength adjustable leveling feet inside the cabin.          Move the BUBLIING without disassembly by adding casters (optional).          Retract the leveling feet for movement and lower them again when in the final position.</p>



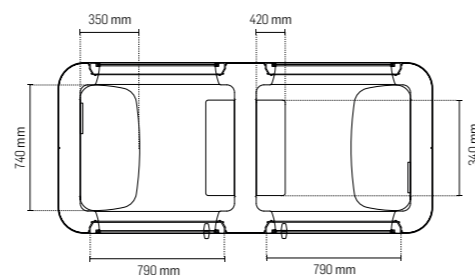
### MATERIALS

<b>Exterior</b>	<p><b>Exterior panels:</b> Made of replaceable thermolacquered steel available in 10 colors.  <b>Frame and door:</b> Made of matte black RAL 9005 lacquered aluminum, with invisible pivot hinge.  <b>Handle:</b> Black.  <b>Glass:</b> 8 mm / 0,31 in clear acoustic glass.</p>
<b>Interior</b>	<p><b>Structure:</b> Metal frame, wood, and recycled acoustic foam.  <b>Upholstery:</b> 100% polyester fabric available in 12 colors.  <b>Flooring:</b> 100% polyamide carpet available in 4 colors.  <b>Table:</b> Top and lower box made of birch plywood coated with white thermolaminate, black anti-fingerprint, or wood imitation.</p>
<b>Standard furniture</b>	<p><b>Table dimensions:</b> 740x350x1050 mm / 29,13x13,78x41,34 in.          Table height is 1050 mm / 41,34 in.          Maximum load for the table is 50kg / 110,23 lb.  <b>Coat hook (1):</b> Black lacquered, at 1900 mm / 78,80 in, in each space.</p>
<b>Optional furniture</b>	<p><b>Height-adjustable lift table system:</b> Between 730-1200 mm / 28,74-47,24 in.          Maximum load for the lift table is 40 kg / 88,18 lb.  <b>High stool with footrest:</b> 340x420x520-750 mm / 13,40x16,50x20,74-29,53 in.  <b>Backrest:</b> 570x145x760 mm / 22,44x5,71x29,92 in.          These options are upholstered in 100% polyester fabric available in 12 colors.          Maximum load for the seat is 135 kg / 297,62 lb.</p>

With high stool:



With backrest:



## BUBLIING S TWIN | TECHNICAL SPECIFICATIONS

### TOLERANCES

<b>Manufacturing</b>	The parts undergo dimensional quality control, with a permissible linear variation of $\pm 3/1000$ mm. This tolerance applies proportionally to the total length, allowing for minor cumulative deviations.
----------------------	---

### FEATURES

<b>Digital Control</b>	7-inch integrated digital control screen. Displays the total lifetime usage of the BUBLIING and individual usage time.
<b>Options</b>	<p><b>Door Closer:</b> Metal hydraulic system for door closing.  <b>Casters:</b> High load capacity. Adjustment of casters and leveling feet is done from inside the BUBLIING.  <b>Wireless charger:</b> Invisible on the table, with 10W power.  <b>Face light:</b> Adjustable up to 350 lux on the user's face.  <b>Bubliing Fresh Air:</b> Non-adjustable and noise-free system.  <b>CO<sub>2</sub> and humidity sensor:</b> Air quality information displayed on the Digital Control Screen.</p>

### POWER

<b>Electrical Equipment</b>	<p>In each space:  <b>1x Schuko socket 220V-240V.</b>  <b>1x USB-C port 12W.</b>          Additional ports: USB-A port; RJ45 network socket.</p>
<b>Standard Consumption</b>	60 W.
<b>Standby Consumption</b>	0,98 W.
<b>Equipment Power</b>	AC output (electric socket); 100-240 VAC, 16 A, 50-60 Hz.
<b>Charger Output</b>	12W USB-C output.

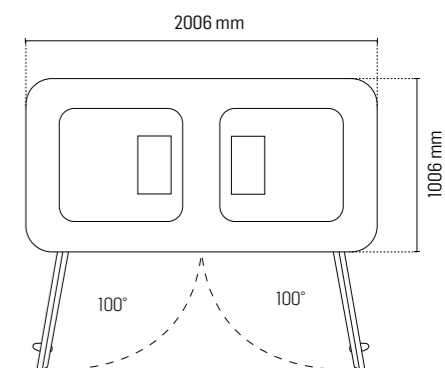
### SAFETY

<b>Fire Resistance</b>	<p>All upholstery, covering materials, and acoustic materials used in our products are tested and rated according to national or international standards.</p> <p>Fabrics: EN 13501-1 Adhered Class B, s1, d0.          Foams: ISO 3795.          Carpet: EN 13501-1 Cfl – s1.          Wood: EN 13986, Class D-s2, d0.</p>
------------------------	--

<b>Seismic Resistance</b>	The BUBLIING can be supplied with a system that allows floor anchoring, available for seismic regions.
---------------------------	--

### SPACE AND INSTALLATION

<b>Required Space</b>	<p>The width of the BUBLIING is 1006 mm / 39,61 in with the door opened at 100°, an additional 790 mm / 31,10 in should be considered.          To ensure proper ventilation, a minimum clearance of 150 mm / 5,91 in, is recommended above and on the sides.</p>
<b>Installation Space</b>	Installation requires 500 mm / 19,69 in of clearance around the BUBLIING.
<b>Leveling</b>	The floor must not have a deviation greater than $\pm 8$ mm / $\pm 0.31$ in.
<b>Assembly</b>	<p><b>Estimated assembly time:</b> <math>\pm 1</math> hour.  <b>Number of people:</b> 2 persons.</p>



M



### **A SPACE FOR TWO PEOPLE**

For providing solutions for the most diverse needs, this model is the most flexible, ideal for holding small meetings for two or having a complete workspace at your disposal.

EXT 2006x1006x2261 mm    INT 1708x974x2060 mm  
EXT 78,98x39,61x89,00 in    INT 67,24x38,35x81,10 in



MODEL | BUBLIING M

# FLEXIBILITY AT ITS CORE.



## GUARANTEED PRIVACY

Structure with a workspace that offers acoustic insulation >30dB Class A.

This ensures that external noise won't disturb you, and due to its internal acoustics, it provides a private and comfortable space.



## ENHANCED VENTILATION

Ventilation system with adjustable airflow that can be quickly and intuitively controlled according to your needs. In standby mode, the fans operate for 10 minutes per hour to ensure the air is always refreshed.



## AUTOMATIC LIGHTING

LED lighting that can also be easily and quickly adjusted between 3500K-4000K according to your needs. BUBLIING detects when it is occupied and automatically notifies with a presence indicator, green or red.



## UNLIMITED CONNECTIVITY

It offers 2 standard SCHUKO outlets, 1 USB-C port, and 1 USB-A port, ensuring you are always connected, whether for charging your devices or using electronic appliances with ease. Always ensure full control with a 7-inch integrated control screen.

**BUBLIING M | STANDARD FURNITURE**



**LOW TABLE**  
745x700x730 mm.  
29,33x27,56x28,74 in.



**SOFA FOR 1 PERSON**  
730x570x450 mm.  
28,74x22,44x17,72 in.

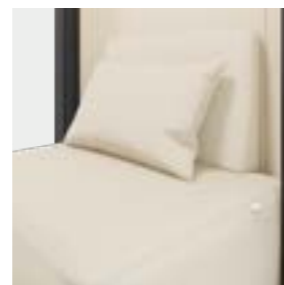


**COAT HOOKS**  
2 units at 1900 mm / 78,80 in.

**BUBLIING M | OPTIONAL FURNITURE**



**HIGH TABLE**  
745x700x1050 mm.  
29,33x27,56x41,34 in.



**SOFA CUSHION**  
500x300 mm.  
19,69x11,81 in.

**BUBLIING M | STANDARD FEATURES**



**CONNECTIVITY**  
2x Schuko sockets 220V-240V.  
1x USB-C port 12W.  
1x USB-A port 12W.



**DIGITAL CONTROL SCREEN**  
7-inch integrated.



**PRESENCE INDICATORS**  
LED in red or green light.  
2 units.

**BUBLIING M | OPTIONAL FEATURES**



**CASTERS**  
High load capacity.  
Adjustment is done from the inside.



**DOOR CLOSER**  
Metal hydraulic system for door closing.



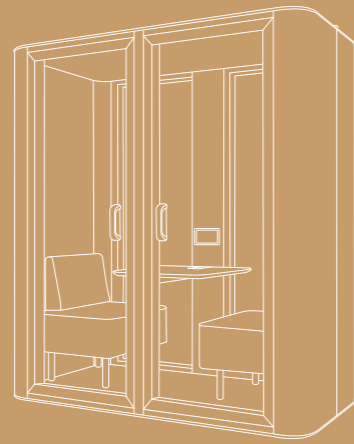
**BUBLIING FRESH AIR**  
Non-adjustable and noise-free system.



**CO<sub>2</sub> AND HUMIDITY SENSOR**  
Air quality information on the Digital Control Screen.



**INTERIOR MONITOR MOUNT**  
Monitor not included.  
Size: 13-42 in.



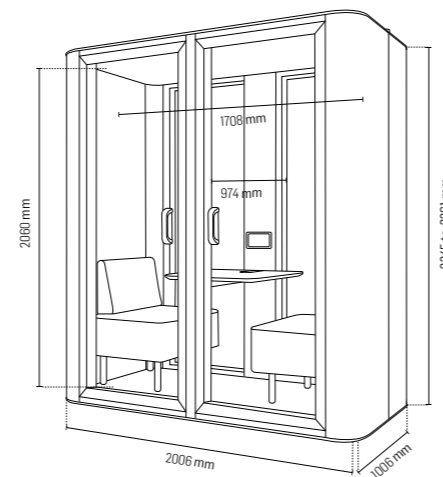
**MODEL BUBLILING M**  
TECHINICAL SPECIFICATIONS



## BUBLIING M | TECHNICAL SPECIFICATIONS

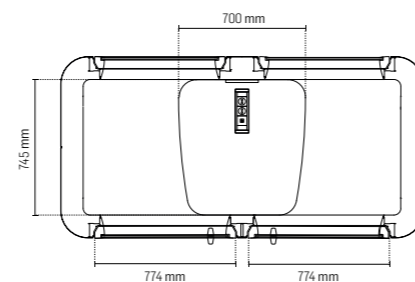
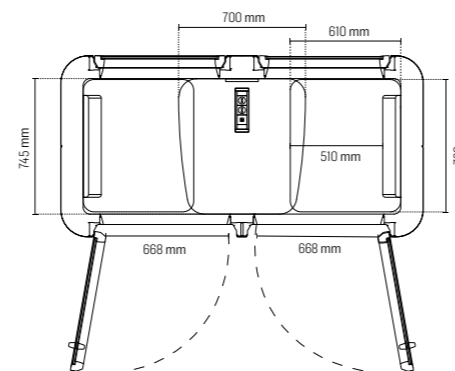
### GENERAL DESCRIPTION

<b>Dimensions</b>	<p><b>Exterior:</b> 2006x1006x2245 to 2261 mm / 78,98x39,61x88,39 to 89,00 in.  <b>With casters:</b> + 52 mm / 2,05 in.  <b>With Bubliing Fresh Air:</b> + 50 mm / 1,97 in.  <b>Interior:</b> 1708x974x2060 mm / 67,24x38,35x81,10 in.  <b>Entrance height:</b> 86 mm / 3,39 in.  <b>With casters:</b> 138 mm / 5,43 in.  <b>The door:</b> 2108x774 mm / 82,99x30,47 in.  <b>Entrance area:</b> 668 mm / 26,30 in.</p>
<b>Standard weight</b>	510 kg / 1124 lb.
<b>Acoustics</b>	<p><b>Class A</b>   <math>D_{BA} &gt; 30</math> dB.          Guaranteed speech level reduction according to the ISO 23351-1 test method, with one of the best ratings in the industry.</p>
<b>Fan airflow</b>	<p><b>Airflow:</b> 560,8 m<sup>3</sup>/h (2 fans).          The air is renewed, on average, every 5,6 minutes.          In standby mode, the system runs for 10 minutes per hour.          The airflow can be manually adjusted.</p>
<b>Lighting</b>	<p><b>Ceiling light:</b> LED lighting with a color temperature of 3500K-4000K.          Lighting is automatic and can be manually adjusted.</p>
<b>Presence indicators</b>	Exterior LED sensor technology with red or green light.
<b>Mobility</b>	<p>High-strength adjustable leveling feet inside the cabin.          Move the BUBLIING without disassembly by adding casters (optional).          Retract the leveling feet for movement and lower them again when in the final position.</p>



### MATERIALS

<b>Exterior</b>	<p><b>Exterior panels:</b> Made of replaceable thermolacquered steel available in 10 colors.  <b>Frame and door:</b> Made of matte black RAL 9005 lacquered aluminum, with invisible pivot hinge.  <b>Handle:</b> Black.  <b>Glass:</b> 8 mm / 0,31 in clear acoustic glass.</p>
<b>Interior</b>	<p><b>Structure:</b> Metal frame, wood, and recycled acoustic foam.  <b>Upholstery:</b> 100% polyester fabric available in 12 colors.  <b>Flooring:</b> 100% polyamide carpet available in 4 colors.  <b>Table:</b> Birch plywood top coated with white thermolaminate, black anti-fingerprint, or wood imitation.          Support structure in black metal.</p>
<b>Standard furniture</b>	<p><b>Table dimensions:</b> 745x700x730 mm / 29,33x27,56x28,74 in.          Table height can be 730 or 1050 mm / 28,74 or 41,34 in.          Maximum load for the table is 90kg / 198,42 lb.  <b>Sofa dimensions (2):</b> 730x610x450 mm / 28,74x24,02x17,72 in.          Sofa upholstered in 100% polyester fabric available in 12 colors.          Maximum load capacity for the seat is 135 kg / 297,12 lb.  <b>Coat hooks (2):</b> Black lacquered, at 1900 mm / 78,80 in.</p>
<b>Optional furniture</b>	<p><b>Sofa cushion:</b> 500x300 mm / 19,69x11,81 in upholstered in 100% polyester fabric available in 12 colors.</p>



### TOLERANCES

<b>Manufacturing</b>	The parts undergo dimensional quality control, with a permissible linear variation of $\pm 3/1000$ mm. This tolerance applies proportionally to the total length, allowing for minor cumulative deviations.
----------------------	---

## BUBLIING M | TECHNICAL SPECIFICATIONS

### FEATURES

<b>Digital Control</b>	7-inch integrated digital control screen. Displays the total lifetime usage of the BUBLIING and individual usage time.
<b>Options</b>	<p><b>Door Closer:</b> Metal hydraulic system for door closing.  <b>Casters:</b> High load capacity. Adjustment of casters and leveling feet is done from inside the BUBLIING.  <b>Bubliing Fresh Air:</b> Non-adjustable and noise-free system.  <b>CO<sub>2</sub> and humidity sensor:</b> Air quality information displayed on the Digital Control Screen.  <b>Interior metal monitor mount:</b> With VESA mounting. Monitor not included.          Monitor size: 13-42 in.</p>

### POWER

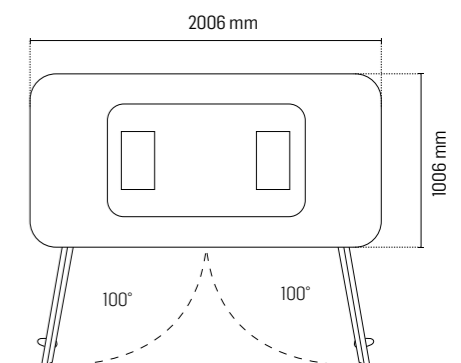
<b>Electrical Equipment</b>	<p><b>2x Schuko sockets 220V-240V.</b>  <b>1x USB-C port 12W.</b>  <b>1x USB-A port 12W.</b>          Additional ports: RJ45 Network Socket; HDMI port.</p>
<b>Standard Consumption</b>	60 W.
<b>Standby Consumption</b>	0,74 W.
<b>Equipment Power</b>	AC output (electric socket); 100-240 VAC, 16 A, 50-60 Hz.
<b>Charger Output</b>	12W USB-C output.

### SAFETY

<b>Fire Resistance</b>	<p>All upholstery, covering materials, and acoustic materials used in our products are tested and rated according to national or international standards.</p> <p>Fabrics: EN 13501-1 Adhered Class B, s1, d0.          Foams: ISO 3795.          Carpet: EN 13501-1 CfI – s1.          Wood: EN 13986, Class D-s2, d0.</p>
<b>Seismic Resistance</b>	The BUBLIING can be supplied with a system that allows floor anchoring, available for seismic regions.

### SPACE AND INSTALLATION

<b>Required Space</b>	<p>The width of the BUBLIING is 1006 mm / 39,61 in, with the door opened at 100°, an additional 774 mm / 30,47 in should be considered.          To ensure proper ventilation, a minimum clearance of 150 mm / 5,91 in, is recommended above and on the sides.</p>
<b>Installation Space</b>	Installation requires 500 mm / 19,69 in of clearance around the BUBLIING.
<b>Leveling</b>	The floor must not have a deviation greater than $\pm 8$ mm / $\pm 0.31$ in.
<b>Assembly</b>	<p><b>Estimated assembly time:</b> <math>\pm 1</math> hour.  <b>Number of people:</b> 2 persons.</p>





### **A SPACE FOR FOUR PEOPLE**

It stands out for its versatility. It offers a quiet space to meet in small groups, with functional furniture and support materials for presentations or strategic planning.

EXT 2356x1456x2261 mm    INT 2058x1426x2114 mm  
EXT 92,76x57,32x89,00 in    INT 81,09x56,14x83,23 in



MODEL | BUBLIING L

# ALL THE ANSWERS IN ONE PLACE.



## GUARANTEED PRIVACY

Structure with a workspace that offers acoustic insulation >30dB Class A.

This ensures that external noise won't disturb you, and due to its internal acoustics, it provides a private and comfortable space.



## ENHANCED VENTILATION

Ventilation system with adjustable airflow that can be quickly and intuitively controlled according to your needs. In standby mode, the fans operate for 10 minutes per hour to ensure the air is always refreshed.



## INCLUSIVE BUBLIING

This model offers a PMR version, which includes a retractable table and sofas, access ramp, support bars inside the doors, and protective door panels, providing greater accessibility and comfort for people with reduced mobility.



## AUTOMATIC LIGHTING

LED lighting that can also be easily and quickly adjusted between 3500K-4000K according to your needs. BUBLIING detects when it is occupied and automatically notifies with a presence indicator, green or red.



## UNLIMITED CONNECTIVITY

It offers 3 standard SCHUKO outlets, 1 USB-C port, and 1 USB-A port, ensuring you are always connected, whether for charging your devices or using electronic appliances with ease. Always ensure full control with a 7-inch integrated control screen.

**BUBLIING L | STANDARD FURNITURE**



**LOW TABLE**  
1195x830x730 mm.  
47,05x32,68x28,74 in.



**SOFAS FOR 2 PEOPLE**  
1173x570x450 mm.  
46,18x22,44x17,72 in.



**COAT HOOKS**  
2 units at 1900 mm / 78,80 in.

**BUBLIING L | OPTIONAL FURNITURE**



**HIGH TABLE**  
1195x830x1050 mm.  
47,05x32,68x41,34 in.



**SOFA CUSHION**  
500x300 mm.  
19,69x11,81 in.

**BUBLIING L | STANDARD FEATURES**



**CONNECTIVITY**  
3x Schuko sockets 220V-240V.  
1x USB-C port 12W.  
1x USB-A port 12W.



**DIGITAL CONTROL SCREEN**  
7-inch integrated.



**PRESENCE INDICATORS**  
LED in red or green light.  
2 units.

**BUBLIING L | OPTIONAL FEATURES**



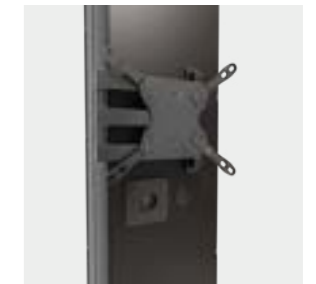
**DOOR CLOSER**  
Metal hydraulic system for door closing.



**BUBLIING FRESH AIR**  
Non-adjustable and noise-free system.



**CO<sub>2</sub> AND HUMIDITY SENSOR**  
Air quality information on the Digital Control Screen.



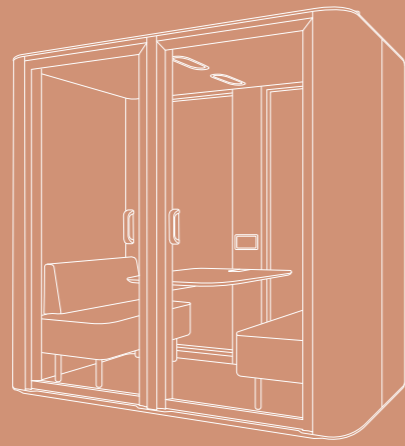
**INTERIOR MONITOR MOUNT**  
Monitor not included.  
Size: 13-42 in.



**EXTERIOR MONITOR MOUNT**  
Monitor not included.  
Size: 37-70 in.



**EXTERIOR WRITING BOARD**  
1040x910 mm.  
40,94x35,83 in.



**MODEL BUBLILING L**  
TECHINICAL SPECIFICATIONS



## BUBLING L | TECHNICAL SPECIFICATIONS

### GENERAL DESCRIPTION

**Dimensions** **Exterior:** 2356x1456x2245 to 2261 mm / 92,76x57,32x88,39 to 89,00 in.  
**With Bubling Fresh Air:** + 50 mm / 1,97 in.  
**Interior:** 2058x1426x2114 mm / 81,09x56,14x83,23 in.  
**Entrance height:** 23 mm / 0,91 in.  
**The door:** 2134x949 mm / 83,90x37,36 in.  
**Entrance area:** 843 mm / 33,19 in.

**Standard weight** 740 kg / 1632 lb.

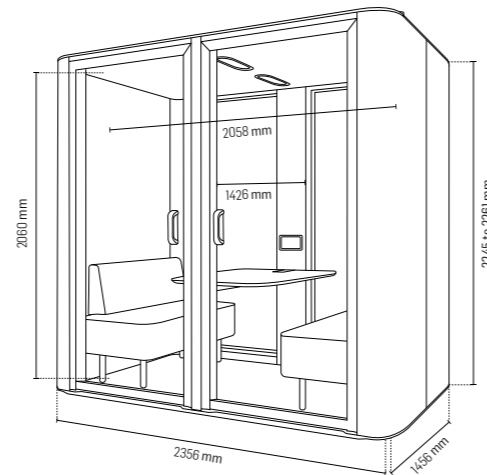
**Acoustics** **Class A** |  $D_{B,A} > 30$  dB.  
 Guaranteed speech level reduction according to the ISO 23351-1 test method, with one of the best ratings in the industry.

**Fan airflow** **Airflow:** 1121,6 m<sup>3</sup>/h (8 fans).  
 The air is renewed, on average, every 5,6 minutes.  
 In standby mode, the system runs for 10 minutes per hour.  
 The airflow can be manually adjusted.

**Lighting** **Ceiling light:** LED lighting with a color temperature of 3500K-4000K.  
 Lighting is automatic and can be manually adjusted.

**Presence indicators** Exterior LED sensor technology with red or green light.

**Mobility** High-strength leveling feet adjustable from inside the cabin.  
 Ramp with an entry height of 23 mm / 0,91 in.



### MATERIALS

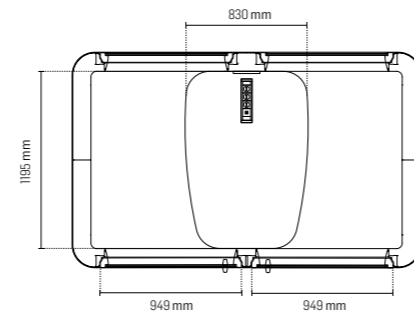
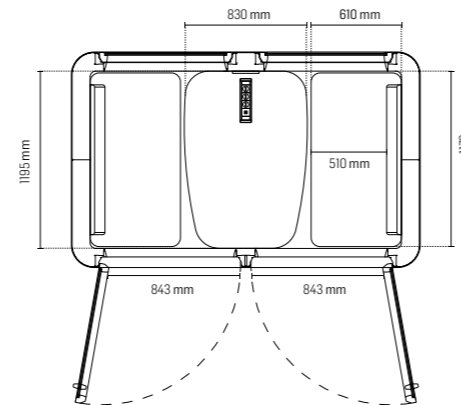
**Exterior** **Exterior panels:** Made of replaceable thermolacquered steel available in 10 colors.  
**Frame and door:** Made of matte black RAL 9005 lacquered aluminum, with invisible pivot hinge.  
**Handle:** Black.  
**Glass:** 8 mm / 0,31 in clear acoustic glass.

**Interior** **Structure:** Metal frame, wood, and recycled acoustic foam.  
**Upholstery:** 100% polyester fabric available in 12 colors.  
**Flooring:** 100% polyamide carpet available in 4 colors.  
**Table:** Birch plywood top coated with white thermolamine, black anti-fingerprint, or wood imitation.  
 Support structure in black metal.

**Standard furniture** **Table dimensions:** 1195x830x730 mm / 47,05x32,68x28,74 in.  
 Table height can be 730 or 1050 mm / 28,74 or 41,34 in.  
 Maximum load for the table is 120kg / 264,55 lb.  
**Sofa dimensions (2):** 1173x610x450 mm / 46,18x24,02x17,72 in.  
 Sofa upholstered in 100% polyester fabric available in 12 colors.  
 Maximum load capacity for the seat is 250 kg / 551,15 lb.  
**Coat hooks (2):** Black lacquered, at 1900 mm / 78,80 in.

**Optional furniture** **Sofa cushion:** 500x300 mm / 19,69x11,81 in upholstered in 100% polyester fabric available in 12 colors.

**PRM version** This model is available in a version designed to meet the needs of people with reduced mobility (PRM).  
 Please refer to the technical sheet of the BUBLING L PRM model for more details.



### TOLERANCES

**Manufacturing** The parts undergo dimensional quality control, with a permissible linear variation of  $\pm 3/1000$  mm. This tolerance applies proportionally to the total length, allowing for minor cumulative deviations.

## BUBLING L | TECHNICAL SPECIFICATIONS

### FEATURES

**Digital Control** 7-inch integrated digital control screen. Displays the total lifetime usage of the BUBLING and individual usage time.

**Options** **Door Closer:** Metal hydraulic system for door closing.  
**Bubling Fresh Air:** Non-adjustable and noise-free system.  
**CO<sub>2</sub> and humidity sensor:** Air quality information displayed on the Digital Control Screen.  
**Interior metal monitor mount:** With VESA mounting. Monitor not included.  
 Monitor size: 13-42 in.  
**Exterior metal monitor mount:** With VESA mounting. Monitor not included.  
 Monitor size: 37-70 in.  
**White exterior writing board:** 1040x910 mm / 40,94x35,83 in.

### POWER

**Electrical Equipment** **3x Schuko sockets 220V-240V.**  
**1x USB-C port 12W.**  
**1x USB-A port 12W.**  
 Additional ports: RJ45 Network Socket; HDMI port.

**Standard Consumption** 93 W.

**Standby Consumption** 0,74 W.

**Equipment Power** AC output (electric socket); 100-240 VAC, 16 A, 50-60 Hz.

**Charger Output** 12W USB-C output.

### SAFETY

**Fire Resistance** All upholstery, covering materials, and acoustic materials used in our products are tested and rated according to national or international standards.

Fabrics: EN 13501-1 Adhered Class B, s1, d0.  
 Foams: ISO 3795.  
 Carpet: EN 13501-1 Cfl – s1.  
 Wood: EN 13986, Class D-s2, d0.

**Seismic Resistance** The BUBLING can be supplied with a system that allows floor anchoring, available for seismic regions.

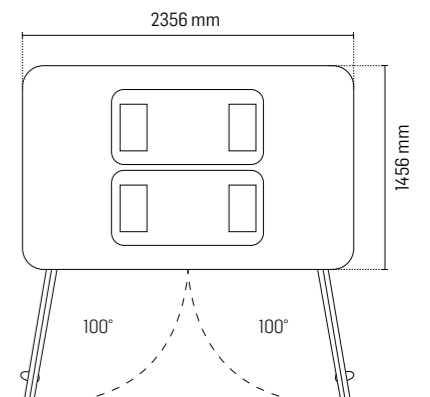
### SPACE AND INSTALLATION

**Required Space** The width of the BUBLING is 1456 mm / 57,32 in with the door opened at 100°, an additional 949 mm / 37,36 in should be considered.  
 To ensure proper ventilation, a minimum clearance of 150 mm / 5,91 in, is recommended above and on the sides.

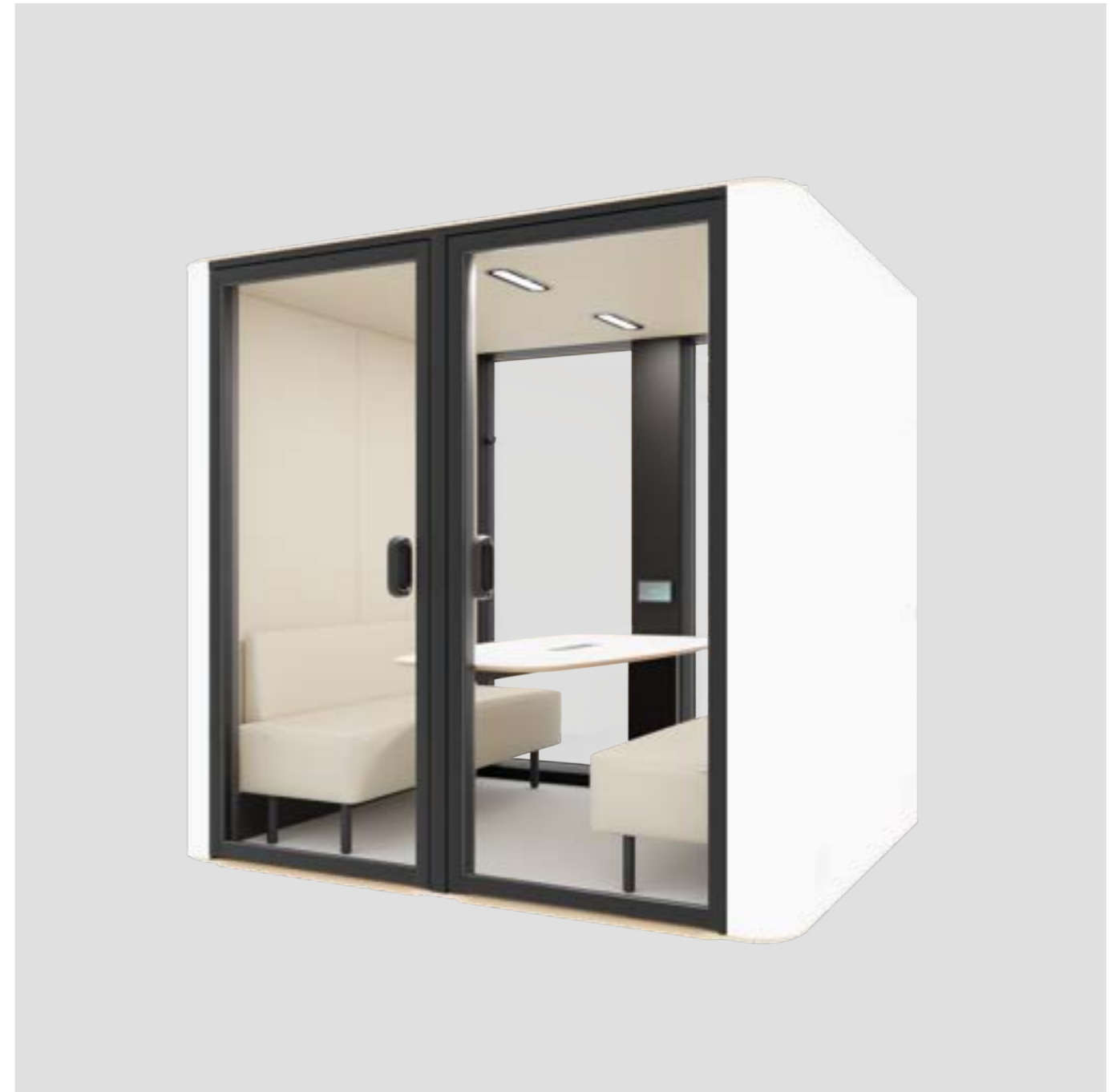
**Installation Space** Installation requires 500 mm / 19,69 in of clearance around the BUBLING.

**Leveling** The floor must not have a deviation greater than  $\pm 8$  mm /  $\pm 0,31$  in.

**Assembly** **Estimated assembly time:**  $\pm 2$  hours.  
**Number of people:** 3 persons.



**XL**



### **A SPACE FOR SIX PEOPLE**

This model takes versatility to another level. It creates a serene environment for larger team meetings, offering functional equipment for presentations or strategic planning sessions.

EXT 2356x2006x2261 mm    INT 2085x1976x2114 mm  
EXT 92,76x78,98x89,00 in    INT 82,09x77,80x83,23 in



## MODEL | BUBLIING XL

# EXPAND THE POSSIBILITIES ELEVATE THE EXPECTATIONS.



### GUARANTEED PRIVACY

Structure with a workspace that offers acoustic insulation >30dB Class A. This ensures that external noise won't disturb you, and due to its internal acoustics, it provides a private and comfortable space.



### ENHANCED VENTILATION

Ventilation system with adjustable airflow that can be quickly and intuitively controlled according to your needs. In standby mode, the fans operate for 10 minutes per hour to ensure the air is always refreshed.



### INCLUSIVE BUBLIING

This model offers a PMR version, which includes a retractable table and sofas, access ramp, support bars inside the doors, and protective door panels, providing greater accessibility and comfort for people with reduced mobility.



### AUTOMATIC LIGHTING

LED lighting that can also be easily and quickly adjusted between 3500K-4000K according to your needs. BUBLIING detects when it is occupied and automatically notifies with a presence indicator, green or red.



### UNLIMITED CONNECTIVITY

It offers 4 standard SCHUKO outlets, 1 USB-C port, 1 USB-A port, and 1 RJ45 port, ensuring you are always connected, whether for charging your devices or using electronic appliances with ease. Always ensure full control with a 7-inch integrated control screen.

## BUBLIING XL | STANDARD FURNITURE



**LOW TABLE**  
1745x870x730 mm.  
68,70x34,25x28,74 in.

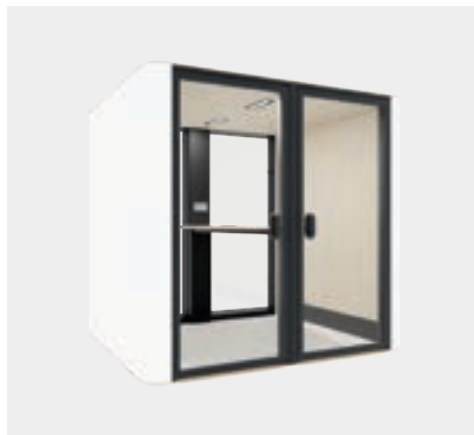


**SOFAS FOR 3 PEOPLE**  
1720x570x450 mm.  
67,72x22,44x17,72 in.



**COAT HOOKS**  
2 units at 1900 mm / 78,80 in.

## BUBLIING XL | OPTIONAL FURNITURE



**HIGH TABLE**  
1745x870x1050 mm.  
68,70x34,25x41,34 in.



**SOFA CUSHION**  
500x300 mm.  
19,69x11,81 in.

## BUBLIING XL | STANDARD FEATURES



**CONNECTIVITY**  
4x Schuko sockets 220V-240V.  
1x USB-C port 12W.  
1x USB-A port 12W.  
1x RJ45 network socket 12W.



**DIGITAL CONTROL SCREEN**  
7-inch integrated.



**PRESENCE INDICATORS**  
LED in red or green light.  
2 units.

## BUBLIING XL | OPTIONAL FEATURES



**DOOR CLOSER**  
Metal hydraulic system for door closing.



**BUBLIING FRESH AIR**  
Non-adjustable and noise-free system.



**CO<sub>2</sub> AND HUMIDITY SENSOR**  
Air quality information on the Digital Control Screen.



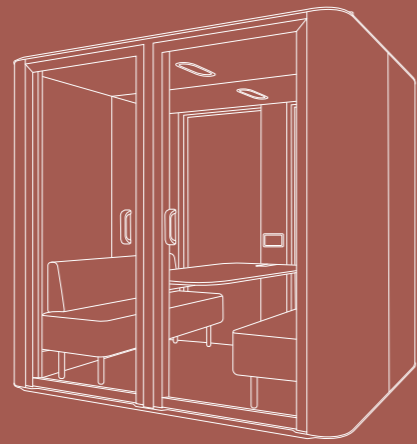
**INTERIOR MONITOR MOUNT**  
Monitor not included.  
Size: 13-42 in.



**EXTERIOR MONITOR MOUNT**  
Monitor not included.  
Size: 37-70 in.



**EXTERIOR WRITING BOARD**  
1594x910 mm.  
62,80x35,83 in.



**MODEL BUBLINO XL**  
TECHINICAL SPECIFICATIONS



## BUBLIING XL | TECHNICAL SPECIFICATIONS

### GENERAL DESCRIPTION

**Dimensions** **Exterior:** 2356x2006x2245 to 2261 mm / 92,76x78,98x88,39 to 98,00 in.  
**With Bubliing Fresh Air:** + 50 mm / 1,97 in.  
**Interior:** 2058x1976x2114 mm / 81,09x77,80x83,23 in.  
**Entrance height:** 23 mm / 0,91 in.  
**The door:** 2134x949 mm / 83,90x37,36 in.  
**Entrance area:** 843 mm / 33,19 in.

**Standard weight** 930 kg / 2050 lb.

**Acoustics** **Class A** |  $D_{B,A} > 30$  dB.  
 Guaranteed speech level reduction according to the ISO 23351-1 test method, with one of the best ratings in the industry.

**Fan airflow** **Airflow:** 1121,6 m<sup>3</sup>/h (8 fans).  
 The air is renewed, on average, every 5,6 minutes.  
 In standby mode, the system runs for 10 minutes per hour.  
 The airflow can be manually adjusted.

**Lighting** **Ceiling light:** LED lighting with a color temperature of 3500K-4000K.  
 Lighting is automatic and can be manually adjusted.

**Presence indicators** Exterior LED sensor technology with red or green light.

**Mobility** High-strength leveling feet adjustable from inside the cabin.  
 Ramp with an entry height of 23 mm / 0,91 in.

### MATERIALS

**Exterior** **Exterior panels:** Made of replaceable thermolacquered steel available in 10 colors.  
**Frame and door:** Made of matte black RAL 9005 lacquered aluminum, with invisible pivot hinge.  
**Handle:** Black.  
**Glass:** 8 mm / 0,31 in clear acoustic glass.

**Interior** **Structure:** Metal frame, wood, and recycled acoustic foam.  
**Upholstery:** 100% polyester fabric available in 12 colors.  
**Flooring:** 100% polyamide carpet available in 4 colors.  
**Table:** Birch plywood top coated with white thermolamine, black anti-fingerprint, or wood imitation.  
 Support structure in black metal.

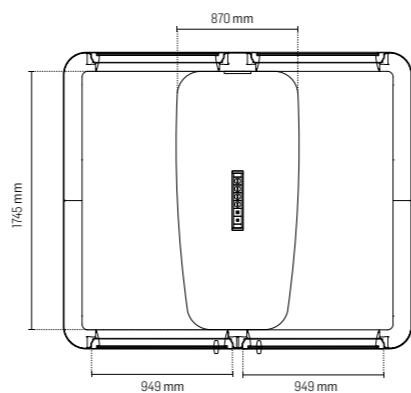
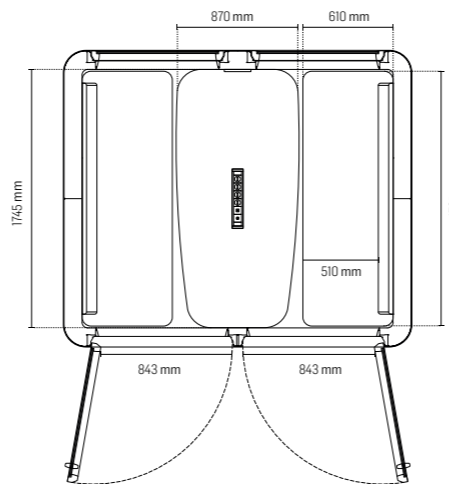
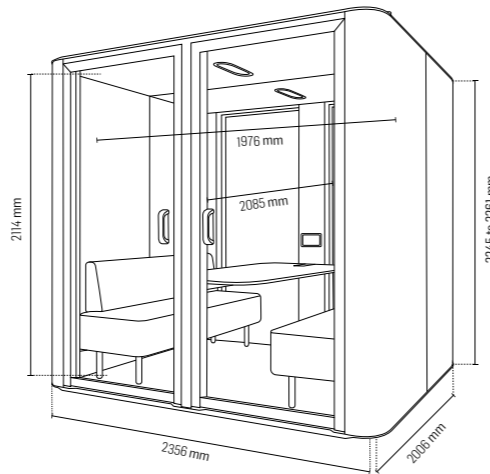
**Standard furniture** **Table dimensions:** 1745x870x730 mm / 68,70x34,25x28,74 in.  
 Table height can be 730 or 1050 mm / 28,74 or 41,34 in.  
 Maximum load for the table is 150kg / 330,69 lb.  
**Sofa dimensions (2):** 1720x610x450 mm / 67,72x24,02x17,72 in.  
 Sofa upholstered in 100% polyester fabric available in 12 colors.  
 Maximum load capacity for the seat is 375 kg / 826,74 lb.  
**Coat hooks (2):** Black lacquered at 1900 mm / 78,80 in.

**Optional furniture** **Sofa cushion:** 500x300 mm / 19,69x11,81 in upholstered in 100% polyester fabric available in 12 colors.

**PRM version** This model is available in a version designed to meet the needs of people with reduced mobility (PRM).  
 Please refer to the technical sheet of the BUBLIING XL PRM model for more details.

### TOLERANCES

**Manufacturing** The parts undergo dimensional quality control, with a permissible linear variation of  $\pm 3/1000$  mm. This tolerance applies proportionally to the total length, allowing for minor cumulative deviations.



## BUBLIING XL | TECHNICAL SPECIFICATIONS

### FEATURES

**Digital Control** 7-inch integrated digital control screen. Displays the total lifetime usage of the BUBLIING and individual usage time.

**Options**  
**Door Closer:** Metal hydraulic system for door closing.  
**Bubliing Fresh Air:** Non-adjustable and noise-free system.  
**CO<sub>2</sub> and humidity sensor:** Air quality information displayed on the Digital Control Screen.  
**Interior metal monitor mount:** With VESA mounting. Monitor not included. Monitor size: 13-42 in.  
**Exterior metal monitor mount:** With VESA mounting. Monitor not included. Monitor size: 37-70 in.  
**White exterior writing board:** 1594x910 mm / 62,80x35,83 in.

### POWER

**Electrical Equipment** **4x Schuko sockets 220V-240V.**  
**1x USB-C port 12W.**  
**1x USB-A port 12W.**  
**1x RJ45 network socket.**  
 Additional port: HDMI port.

**Standard Consumption** 118 W.

**Standby Consumption** 0,74 W.

**Equipment Power** AC output (electric socket); 100-240 VAC, 16 A, 50-60 Hz.

**Charger Output** 12W USB-C output.

### SAFETY

**Fire Resistance** All upholstery, covering materials, and acoustic materials used in our products are tested and rated according to national or international standards.

Fabrics: EN 13501-1 Adhered Class B, s1, d0.  
 Foams: ISO 3795.  
 Carpet: EN 13501-1 Cfl – s1.  
 Wood: EN 13986, Class D-s2, d0.

**Seismic Resistance** The BUBLIING can be supplied with a system that allows floor anchoring, available for seismic regions.

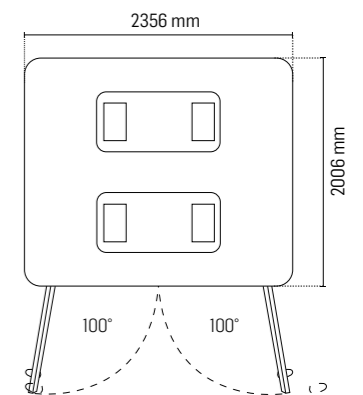
### SPACE AND INSTALLATION

**Required Space** The width of the BUBLIING is 2006 mm / 78,98 in with the door opened at 100°, an additional 949 mm / 37,36 in should be considered.  
 To ensure proper ventilation, a minimum clearance of 150 mm / 5,91 in, is recommended above and on the sides.

**Installation Space** Installation requires 500 mm / 19,69 in of clearance around the BUBLIING.

**Leveling** The floor must not have a deviation greater than  $\pm 8$  mm /  $\pm 0,31$  in.

**Assembly** **Estimated assembly time:**  $\pm 2$  hours.  
**Number of people:** 3 persons.



R



### **A SPACE FOR EIGHT PEOPLE**

Being the largest of all models, this BUBLIING redefines the limits of flexibility and mobility. Its innovation provides freedom of movement, offering a space that adapts to various layouts.

EXT 3006x3006x2261 mm    INT 2708x2976x2114 mm  
EXT 118,33x118,33x98,00 in    INT 06,61x117,24x83,27 in



## MODEL | BUBLIING R

# WITH EVERY STEP, A SPACE WITHOUT LIMITS.



### GUARANTEED PRIVACY

Structure with a workspace that offers acoustic insulation >30dB Class A. This ensures that external noise won't disturb you, and due to its internal acoustics, it provides a private and comfortable space.



### ENHANCED VENTILATION

Ventilation system with adjustable airflow that can be quickly and intuitively controlled according to your needs. In standby mode, the fans operate for 10 minutes per hour to ensure the air is always refreshed.



### INCLUSIVE BUBLIING

This model was designed for PRM. It includes an access ramp and offers optional support bars inside the doors and protective panels for the doors, providing greater accessibility and comfort for people with reduced mobility.



### AUTOMATIC LIGHTING

LED lighting that can also be easily and quickly adjusted between 3500K-4000K according to your needs. BUBLIING detects when it is occupied and automatically notifies with a presence indicator, green or red.



### UNLIMITED CONNECTIVITY

It offers 4 standard SCHUKO outlets, 1 USB-C port, 1 USB-A port, and 1 RJ45 port, ensuring you are always connected, whether for charging your devices or using electronic appliances with ease. Always ensure full control with a 7-inch integrated control screen.

**BUBLING R | STANDARD FURNITURE**



**LOW TABLE FOR 8 PEOPLE**  
1745x870x730 mm.  
68,70x34,25x28,74 in.



**COAT HOOKS**  
4 units at 1900 mm / 78,80 in.

**BUBLING R | STANDARD FEATURES**



**CONNECTIVITY**  
4x Schuko sockets 220V-240V.  
1x USB-C port 12W.  
1x USB-A port 12W.  
1x RJ45 network socket 12W.



**DIGITAL CONTROL SCREEN**  
7-inch integrated.



**PRESENCE INDICATORS**  
LED in red or green light.  
2 units.

**BUBLING R | OPTIONAL FURNITURE**



**HIGH TABLE FOR 8 PEOPLE**  
1745x870x730 mm.  
68,70x34,25x28,74 in.



**COAT HOOKS**  
4 units at 1900 mm / 78,80 in.

**BUBLING R | OPTIONAL FEATURES**



**DOOR CLOSER**  
Metal hydraulic system for door closing.



**CO<sub>2</sub> AND HUMIDITY SENSOR**  
Air quality information on the Digital Control Screen.



**INTERIOR MONITOR MOUNT**  
Monitor not included.  
Size: 13-42 in.



**EXTERIOR MONITOR MOUNT**  
Monitor not included.  
Size: 37-70 in.



**LOW TABLE FOR 6 PEOPLE**  
1745x870x730 mm.  
68,70x34,25x28,74 in.



**COAT HOOKS**  
4 units at 1900 mm / 78,80 in.



**INTERIOR WRITING BOARD**  
1594x910 mm.  
62,80x35,83 in.



**EXTERIOR WRITING BOARD**  
1594x910 mm.  
62,80x35,83 in.

**BUBLING R | PRM ACCESSORIES**



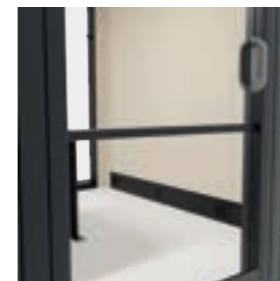
**HIGH TABLE FOR 6 PEOPLE**  
1745x870x730 mm.  
68,70x34,25x28,74 in.



**COAT HOOKS**  
4 units at 1200 mm / 47,24 in.



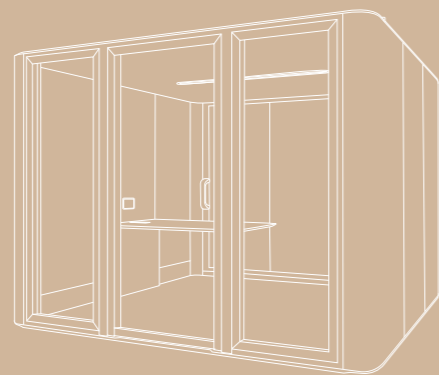
**PROTECTIVE PLATES**  
840x180mm.  
33,07x7,09 in.



**SUPPORT BAR**  
With a height of 850 mm / 33,46 in.



**COAT HOOKS AT PRM HEIGHT**  
4 units at 1200 mm / 47,24 in.



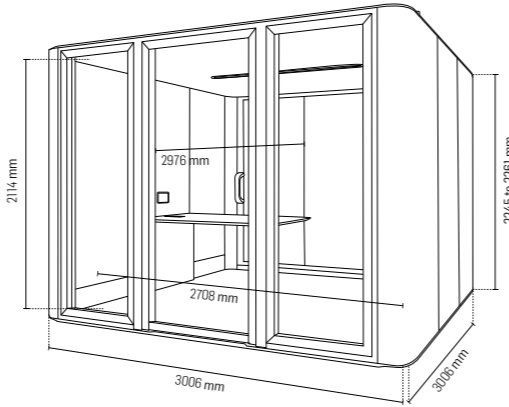
**MODEL BUBLING R**  
TECHINICAL SPECIFICATIONS



## BUBLIING R | TECHNICAL SPECIFICATIONS

### GENERAL DESCRIPTION

<b>Dimensions</b>	<p><b>Exterior:</b> 3006x3006x2245 to 2261 mm / 118,33x118,33x88,39 to 98,00 in.</p> <p><b>Interior:</b> 2708x2976x2114 mm / 106,61x117,24x83,27 in.</p> <p><b>Entrance height:</b> 23 mm / 0,91 in.</p> <p><b>The door:</b> 2134x949 mm / 83,90x37,36 in.</p> <p><b>Entrance area:</b> 843 mm / 33,19 in.</p>
<b>Standard weight</b>	930 kg / 2050 lb.
<b>Acoustics</b>	<p><b>Class A</b>   <math>D_{B,A} &gt; 30</math> dB.</p> <p>Guaranteed speech level reduction according to the ISO 23351-1 test method, with one of the best ratings in the industry.</p>
<b>Fan airflow</b>	<p><b>Airflow:</b> 1682,4m<sup>3</sup>/h (10 fans).</p> <p>The air is renewed, on average, every 5,6 minutes.</p> <p>In standby mode, the system runs for 10 minutes per hour.</p> <p>The airflow can be manually adjusted.</p>
<b>Lighting</b>	<p><b>Ceiling light:</b> LED lighting with a color temperature of 3500K-4000K.</p> <p>Lighting is automatic and can be manually adjusted.</p>
<b>Presence indicators</b>	Exterior LED sensor technology with red or green light.
<b>Mobility</b>	<p>High-strength leveling feet adjustable from inside the cabin.</p> <p>The BUBLIING is designed for people with reduced mobility and wheelchair users.</p> <p>Ramp with an entry height of 23 mm / 0,91 in.</p>



### MATERIALS

<b>Exterior</b>	<p><b>Exterior panels:</b> Made of replaceable thermolacquered steel available in 10 colors.</p> <p><b>Frame and door:</b> Made of matte black RAL 9005 lacquered aluminum, with invisible pivot hinge.</p> <p>Optional: The door can be configured to open to the left or to the right.</p> <p><b>Handle:</b> Black.</p> <p><b>Glass:</b> 8 mm / 0,31 in clear acoustic glass.</p>
<b>Interior</b>	<p><b>Structure:</b> Metal frame, wood, and recycled acoustic foam.</p> <p><b>Upholstery:</b> 100% polyester fabric available in 12 colors.</p> <p><b>Flooring:</b> 100% polyamide carpet available in 4 colors.</p> <p><b>Table:</b> Birch plywood top coated with white thermolamine, black anti-fingerprint, or wood imitation.</p> <p>Support structure in black metal.</p>
<b>Standard furniture</b>	<p><b>Table dimensions (8 people):</b> 1800x1000x730 mm / 70,87x39,37x28,74 in.</p> <p>Table height can be 730 or 1050 mm / 28,74 or 41,34 in.</p> <p>Maximum load capacity for the table is 150 kg / 826,72 lb.</p> <p><b>Coat hooks (4):</b> Black lacquered at 1900 mm / 78,80 in.</p> <p><b>Table dimensions (6 people):</b> 1400x1000x730 mm / 55,12x39,37x28,74 in.</p> <p>Table height can be 730 or 1050 mm / 28,74 or 41,34 in.</p> <p>Maximum load capacity for the table is 150 kg / 826,72 lb.</p> <p><b>Coat hooks (4):</b> Black lacquered at 1900 mm / 78,80 in.</p>
<b>PRM accessories</b>	<p><b>Support bar (1):</b> Black, located on the door interior, at a height of 850 mm / 33,46 in.</p> <p><b>Protective plates (2):</b> Black, for the door interior and exterior, 840x180 mm / 33,07x7,09 in.</p> <p><b>Coat hooks (4):</b> Black lacquered at 1200 mm / 47,24 in.</p>

Table for 8 people:

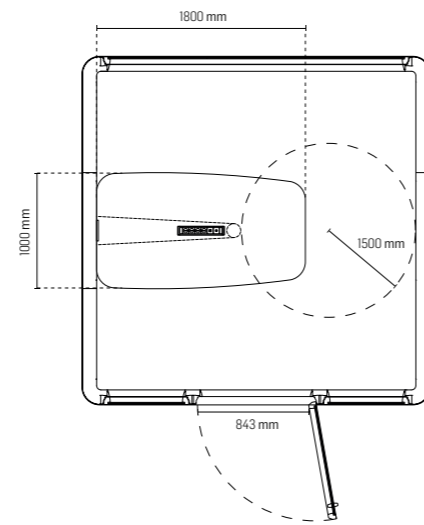
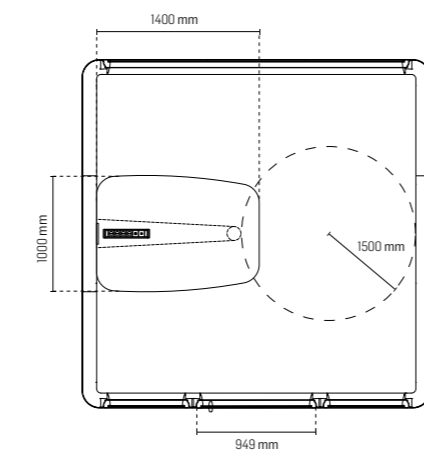


Table for 6 people:



## BUBLIING R | TECHNICAL SPECIFICATIONS

### TOLERANCES

<b>Manufacturing</b>	The parts undergo dimensional quality control, with a permissible linear variation of $\pm 3/1000$ mm. This tolerance applies proportionally to the total length, allowing for minor cumulative deviations.
----------------------	---

### FEATURES

<b>Digital Control</b>	7-inch integrated digital control screen. Displays the total lifetime usage of the BUBLIING and individual usage time.
<b>Options</b>	<p><b>Door Closer:</b> Metal hydraulic system for door closing.</p> <p><b>CO<sub>2</sub> and humidity sensor:</b> Air quality information displayed on the Digital Control Screen.</p> <p><b>Interior metal monitor mount:</b> With VESA mounting. Monitor not included.</p> <p>Monitor size: 13-42 in.</p> <p><b>Exterior metal monitor mount:</b> With VESA mounting. Monitor not included.</p> <p>Monitor size: 37-70 in.</p> <p><b>White interior writing board:</b> 1595 mmx910 / 62,80x35,83 in.</p> <p><b>White exterior writing board:</b> 1595x910 mm / 62,80x35,83 in.</p>

### POWER

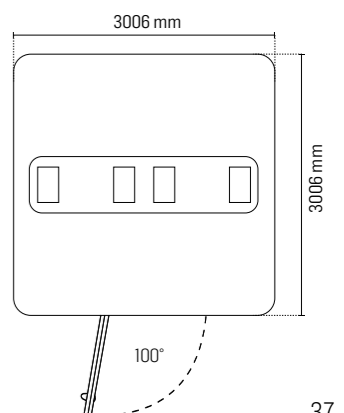
<b>Electrical Equipment</b>	<p>4x Schuko sockets 220V-240V.</p> <p>1x USB-C port 12W.</p> <p>1x USB-A port 12W.</p> <p>1x RJ45 network socket.</p> <p>Additional port: HDMI port.</p>
<b>Standard Consumption</b>	176 W.
<b>Standby Consumption</b>	0,98 W.
<b>Equipment Power</b>	AC output (electric socket); 100-240 VAC, 16 A, 50-60 Hz.
<b>Charger Output</b>	12W USB-C output.

### SAFETY

<b>Fire Resistance</b>	<p>All upholstery, covering materials, and acoustic materials used in our products are tested and rated according to national or international standards.</p> <p>Fabrics: EN 13501-1 Adhered Class B, s1, d0.</p> <p>Foams: ISO 3795.</p> <p>Carpet: EN 13501-1 CfL – s1.</p> <p>Wood: EN 13986, Class D-s2, d0.</p>
<b>Seismic Resistance</b>	The BUBLIING can be supplied with a system that allows floor anchoring, available for seismic regions.

### SPACE AND INSTALLATION

<b>Required Space</b>	<p>The width of the BUBLIING is 3006 mm / 118,33 in with the door opened at 100°, an additional 949 mm / 37,36 in should be considered.</p> <p>To ensure proper ventilation, a minimum clearance of 150 mm / 5,91 in is recommended above and on the sides.</p>
<b>Installation Space</b>	Installation requires 500 mm / 19,69 in of clearance around the BUBLIING.
<b>Leveling</b>	The floor must not have a deviation greater than $\pm 8$ mm / $\pm 0,31$ in.
<b>Assembly</b>	<p><b>Estimated assembly time:</b> <math>\pm 4</math> hours.</p> <p><b>Number of people:</b> 3 persons.</p>





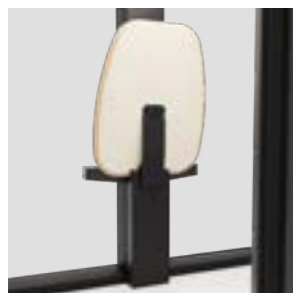
## INCLUSIVE BUBLIING

### FOR PEOPLE WITH REDUCED MOBILITY

The L, XL, and R models have been designed to be fully compatible with a wide range of accessories adapted for People with Reduced Mobility (PRM).

This ensures that all users can enjoy an inclusive, safe, and comfortable environment, with solutions that meet specific mobility needs. These models guarantee greater autonomy and accessibility, providing a functional and welcoming space for everyone.

**STANDARD FURNITURE**



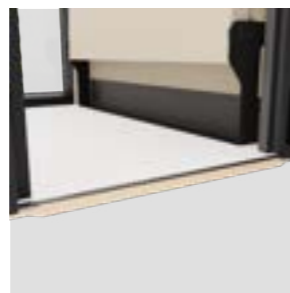
**RETRACTABLE TABLE**

Adaptable with a retractable mechanism to facilitate access for people with reduced mobility.



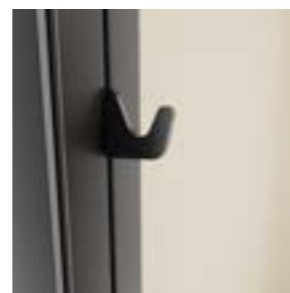
**RETRACTABLE SOFA**

Allows the sofa to be retracted when not in use, ensuring greater space flexibility.



**ACCESS RAMP**

The BUBLIING entry height is 23 mm / 0.91 in, ensuring access for all users.



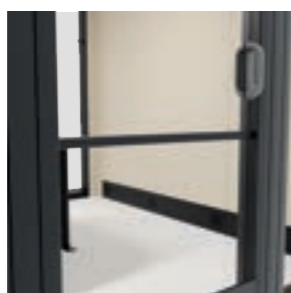
**COAT HOOK**

At a height of 1200 mm / 47.24 in to ensure easy access for wheelchair users, promoting autonomy.



**PROTECTION PLATES**

Located inside and outside the BUBLIING to protect against accidental wheelchair impacts.



**GRAB BARS**

At a height of 850 mm / 33.46 in inside the BUBLIING to help users maneuver the door more easily.

**OPTIONAL FURNITURE**



**SOFA WITHOUT SYSTEM**

Sofa without a retractable system for those who prefer not to have this mechanism on either side, making the BUBLIING more versatile.



**SOFA CUSHION**

Cushion for the sofa without a retractable system on one side of the BUBLIING.



**BUBLIING L PRM**



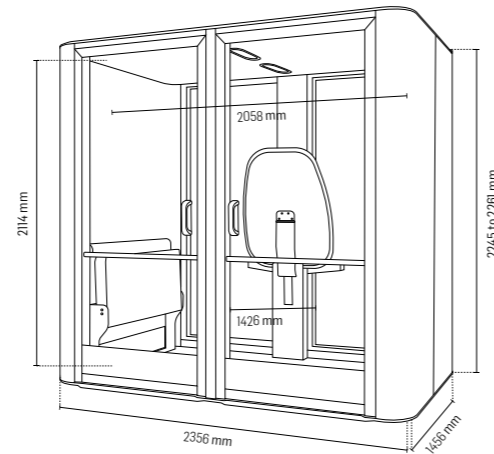
**BUBLIING XL PRM**



## BUBLIING L PRM | TECHNICAL SPECIFICATIONS

### GENERAL DESCRIPTION

**Dimensions** **Exterior:** 2356x1456x2245 to 2261 mm / 92,76x57,32x88,39 to 89,00 in.  
**With Bubliing Fresh Air:** + 50 mm / 1,97 in.  
**Interior:** 2058x1426x2114 mm / 81,09x56,14x83,23 in.  
**Entrance height:** 23 mm / 0,91 in.  
**The door:** 2134x949 mm / 83,90x37,36 in.  
**Entrance area:** 843 mm / 33,19 in.



**Standard weight** 742 kg / 1636 lb

**Acoustics** **Class A** |  $D_{B,A} > 30$  dB.  
 Guaranteed speech level reduction according to the ISO 23351-1 test method, with one of the best ratings in the industry.

**Fan airflow** **Airflow:** 1121,6 m<sup>3</sup>/h (8 fans).  
 The air is renewed, on average, every 5,6 minutes.  
 In standby mode, the system runs for 10 minutes per hour.  
 The airflow can be manually adjusted.

**Lighting** **Ceiling light:** LED lighting with a color temperature of 3500K-4000K.  
 Lighting is automatic and can be manually adjusted.

**Presence indicators** Exterior LED sensor technology with red or green light.

**Mobility** High-strength leveling feet adjustable from inside the cabin.  
 The BUBLIING is designed for people with reduced mobility and wheelchair users.  
 Ramp with an entry height of 23 mm / 0,91 in.

### MATERIALS

**Exterior** **Exterior panels:** Made of replaceable thermolacquered steel available in 10 colors.  
**Frame and door:** Made of matte black RAL 9005 lacquered aluminum, with invisible pivot hinge.  
**Handle:** Black.  
**Glass:** 8 mm / 0,31 in clear acoustic glass.

**Interior** **Structure:** Metal frame, wood, and recycled acoustic foam.  
**Upholstery:** 100% polyester fabric available in 12 colors.  
**Flooring:** 100% polyamide carpet available in 4 colors.  
**Table:** Birch plywood top coated with white thermolaminate, black anti-fingerprint, or wood imitation.  
 Retractable table frame in black metal.

**Standard furniture** **Open retractable table dimension:** 900x700x730 mm / 35,42x27,56x28,74 in.

Table height is 730 mm / 28,74 in.  
 Maximum load capacity for the table is 40kg / 88,18 lb.  
**Open retractable sofa dimension (2):** 1015x461x465 mm / 39,962x18,15x18,31 in.

Sofas upholstered in 100% polyester fabric available in 12 colors.  
 Maximum load capacity for each seat is 150 kg / 330,69 lb.

**Coat hooks (2):** Black lacquered at 1200 mm / 47,24 in.

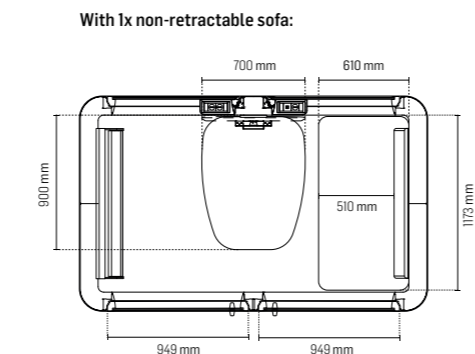
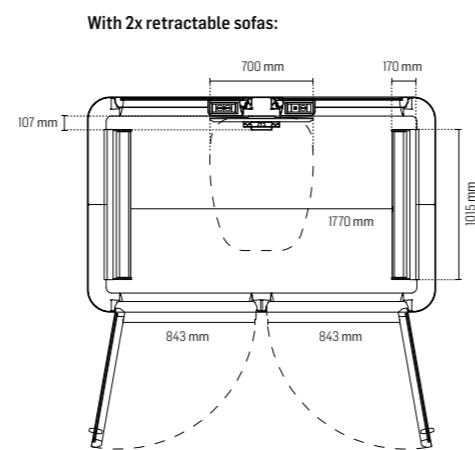
**Support bars (2):** Black, located on the door interior, at a height of 850 mm / 33,46 in.

**Protective plates (4):** Black, for the door interior and exterior, 840x180 mm / 33,07x7,09 in.

**Optional furniture** **Non-retractable sofa dimensions (1):** 1173x570x450 mm / 46,18x22,44x17,72 in.

Sofa upholstered in 100% polyester fabric available in 12 colors.  
 Maximum load capacity for the seat: 250 kg / 551,15 lb.

**Cushion for non-retractable sofa:** 500x300 mm / 19,69x11,81 in upholstered in 100% polyester fabric available in 12 colors.



## BUBLIING L PRM | TECHNICAL SPECIFICATIONS

### TOLERANCES

**Manufacturing** The parts undergo dimensional quality control, with a permissible linear variation of  $\pm 3/1000$  mm. This tolerance applies proportionally to the total length, allowing for minor cumulative deviations.

### FEATURES

**Digital Control** 7-inch integrated digital control screen. Displays the total lifetime usage of the BUBLIING and individual usage time.

**Options**  
**Bubliing Fresh Air:** Non-adjustable and noise-free system.  
**CO<sub>2</sub> and humidity sensor:** Air quality information displayed on the Digital Control Screen.  
**Interior metal monitor mount:** With VESA mounting. Monitor not included. Monitor size: 13-42 in.  
**Exterior metal monitor mount:** With VESA mounting. Monitor not included. Monitor size: 37-70 in.  
**White exterior writing board:** 1040x910 mm / 40,94x35,83 in.

### POWER

**Electrical Equipment** **3x Schuko sockets 220V-240V.**  
**1x USB-C port 12W.**  
**1x USB-A port 12W.**  
 Additional ports: RJ45 Network Socket; HDMI port.

**Standard Consumption** 93 W.

**Standby Consumption** 0,74 W.

**Equipment Power** AC output (electric socket); 100-240 VAC, 16 A, 50-60 Hz.

**Charger Output** 12W USB-C output.

### SAFETY

**Fire Resistance** All upholstery, covering materials, and acoustic materials used in our products are tested and rated according to national or international standards.

Fabrics: EN 13501-1 Adhered Class B, s1, d0.  
 Foams: ISO 3795.  
 Carpet: EN 13501-1 Cfl – s1.  
 Wood: EN 13986, Class D-s2, d0.

**Seismic Resistance** The BUBLIING can be supplied with a system that allows floor anchoring, available for seismic regions.

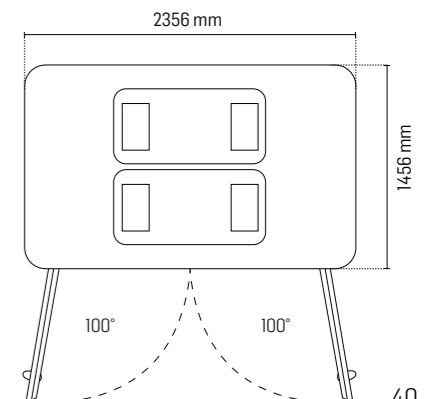
### SPACE AND INSTALLATION

**Required Space** The width of the BUBLIING is 1456 mm / 57,32 in with the door opened at 100°, an additional 949 mm / 37,36 in should be considered.  
 To ensure proper ventilation, a minimum clearance of 150 mm / 5,91 in, is recommended above and on the sides.

**Installation Space** Installation requires 500 mm / 19,69 in of clearance around the BUBLIING.

**Leveling** The floor must not have a deviation greater than  $\pm 8$  mm /  $\pm 0,31$  in.

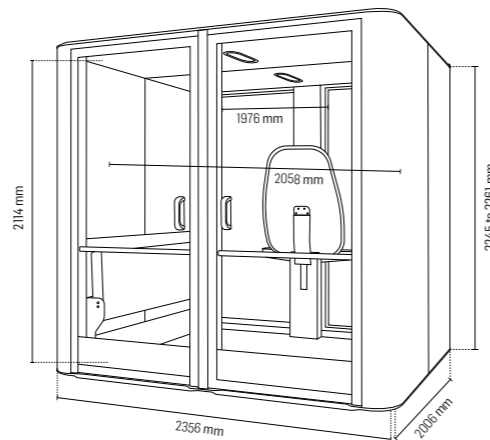
**Assembly** **Estimated assembly time:**  $\pm 2$  hours.  
**Number of people:** 3 persons.



## BUBLIING XL PRM | TECHNICAL SPECIFICATIONS

### GENERAL DESCRIPTION

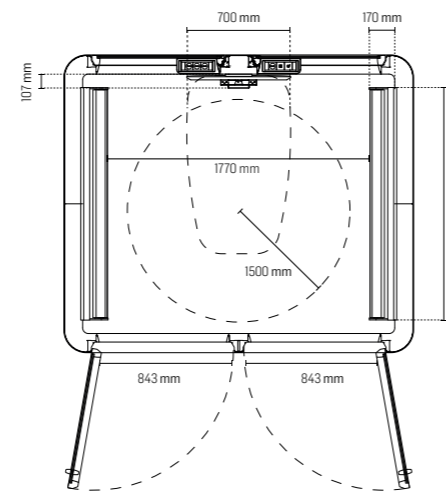
<b>Dimensions</b>	<p><b>Exterior:</b> 2356x2006x2245 to 2261 mm / 92,76x78,98x88,39 to 98,00 in.  <b>With Bubliing Fresh Air:</b> + 50 mm / 1,97 in.  <b>Interior:</b> 2058x1976x2114 mm / 81,09x77,80x83,23 in.  <b>Entrance height:</b> 23 mm / 0,91 in.  <b>The door:</b> 2134x949 mm / 83,90x37,36 in.  <b>Entrance area:</b> 843 mm / 33,19 in.</p>
<b>Standard weight</b>	932 kg / 2054 lb.
<b>Acoustics</b>	<p><b>Class A</b>   <math>D_{BA} &gt; 30</math> dB.          Guaranteed speech level reduction according to the ISO 23351-1 test method, with one of the best ratings in the industry.</p>
<b>Fan airflow</b>	<p><b>Airflow:</b> 1121,6 m<sup>3</sup>/h (8 fans).          The air is renewed, on average, every 5,6 minutes.          In standby mode, the system runs for 10 minutes per hour.          The airflow can be manually adjusted.</p>
<b>Lighting</b>	<p><b>Ceiling light:</b> LED lighting with a color temperature of 3500K-4000K.          Lighting is automatic and can be manually adjusted.</p>
<b>Presence indicators</b>	Exterior LED sensor technology with red or green light.
<b>Mobility</b>	<p>High-strength leveling feet adjustable from inside the cabin.          The BUBLIING is designed for people with reduced mobility and wheelchair users.          Ramp with an entry height of 23 mm / 0,91 in.</p>



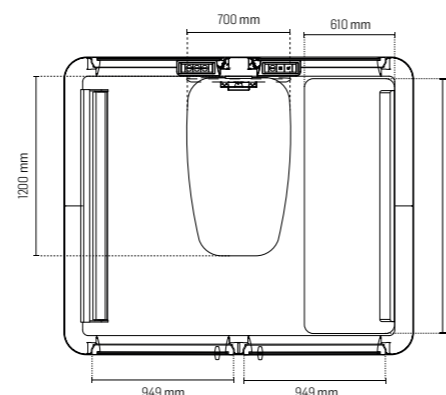
### MATERIALS

<b>Exterior</b>	<p><b>Exterior panels:</b> Made of replaceable thermolacquered steel available in 10 colors.  <b>Frame and door:</b> Made of matte black RAL 9005 lacquered aluminum, with invisible pivot hinge.  <b>Handle:</b> Black.  <b>Glass:</b> 8 mm / 0,31 in clear acoustic glass.</p>
<b>Interior</b>	<p><b>Structure:</b> Metal frame, wood, and recycled acoustic foam.  <b>Upholstery:</b> 100% polyester fabric available in 12 colors.  <b>Flooring:</b> 100% polyamide carpet available in 4 colors.  <b>Table:</b> Birch plywood top coated with white thermolaminate, black anti-fingerprint, or wood imitation.          Retractable table frame in black metal.</p>
<b>Standard furniture</b>	<p><b>Open retractable table dimension:</b> 1200x700x730 mm / 47,24x27,56x28,74 in.          Table height is 730 mm / 28,74 in          Maximum load capacity for the table is 40kg / 88,18 lb.  <b>Open retractable sofa dimension (2):</b> 1560x461x465 mm / 61,42x18,15x18,31 in.          Sofas upholstered in 100% polyester fabric available in 12 colors.          Maximum load capacity for each seat is 150 kg / 330,69 lb.  <b>Coat hooks (2):</b> Black lacquered at 1200 mm / 47,24 in.  <b>Support bars (2):</b> Black, located on the door interior, at a height of 850 mm / 33,46 in.  <b>Protective plates (4):</b> Black, for the door interior and exterior, 840x180 mm / 33,07x7,09 in.</p>
<b>Optional furniture</b>	<p><b>Non-retractable sofa dimensions (1):</b> 1720x610x450 mm / 67,72x24,02x17,72 in.          Sofa upholstered in 100% polyester fabric available in 12 colors.          Maximum load capacity for the seat is 375 kg / 826,74 lb.  <b>Cushion for non-retractable sofa:</b> 500x300 mm / 19,69x11,81 in upholstered in 100% polyester fabric available in 12 colors.</p>

With 2x retractable sofas:



With 1x non-retractable sofa:



## BUBLIING XL PRM | TECHNICAL SPECIFICATIONS

### TOLERANCES

<b>Manufacturing</b>	The parts undergo dimensional quality control, with a permissible linear variation of $\pm 3/1000$ mm. This tolerance applies proportionally to the total length, allowing for minor cumulative deviations.
----------------------	---

### FEATURES

<b>Digital Control</b>	7-inch integrated digital control screen. Displays the total lifetime usage of the BUBLIING and individual usage time.
<b>Options</b>	<p><b>Bubliing Fresh Air:</b> Non-adjustable and noise-free system.  <b>CO<sub>2</sub> and humidity sensor:</b> Air quality information displayed on the Digital Control Screen.  <b>Interior metal monitor mount:</b> With VESA mounting. Monitor not included. Monitor size: 13-42 in.  <b>Exterior metal monitor mount:</b> With VESA mounting. Monitor not included. Monitor size: 37-70 in.  <b>White exterior writing board:</b> 1594x910 mm / 62,80x35,83 in.</p>

### POWER

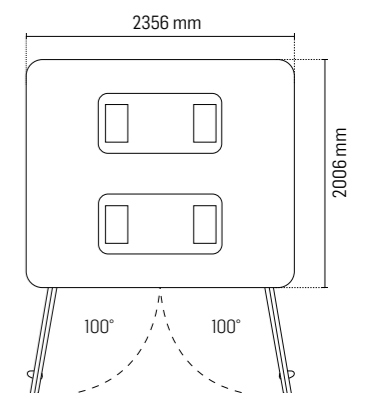
<b>Electrical Equipment</b>	<p>4x Schuko sockets 220V-240V.          1x USB-C port 12W.          1x USB-A port 12W.          1x RJ45 network socket.          Additional port: HDMI port.</p>
<b>Standard Consumption</b>	118 W.
<b>Standby Consumption</b>	0,74 W.
<b>Equipment Power</b>	AC output (electric socket); 100-240 VAC, 16 A, 50-60 Hz.
<b>Charger Output</b>	12W USB-C output.

### SAFETY

<b>Fire Resistance</b>	<p>All upholstery, covering materials, and acoustic materials used in our products are tested and rated according to national or international standards.</p> <p>Fabrics: EN 13501-1 Adhered Class B, s1, d0.          Foams: ISO 3795.          Carpet: EN 13501-1 CfL – s1.          Wood: EN 13986, Class D-s2, d0.</p>
<b>Seismic Resistance</b>	The BUBLIING can be supplied with a system that allows floor anchoring, available for seismic regions.

### SPACE AND INSTALLATION

<b>Required Space</b>	The width of the BUBLIING is 2006 mm / 78,98 in. With the door opened at 100°, an additional 949 mm / 37,36 in should be considered. To ensure proper ventilation, a minimum clearance of 150 mm / 5,91 in, is recommended above and on the sides.
<b>Installation Space</b>	Installation requires 500 mm / 19,69 in of clearance around the BUBLIING.
<b>Leveling</b>	The floor must not have a deviation greater than $\pm 8$ mm / $\pm 0,31$ in.
<b>Assembly</b>	<p><b>Estimated assembly time:</b> <math>\pm 2</math> hours.  <b>Number of people:</b> 3 persons.</p>







## GUARANTEED PRIVACY

BUBLIING's are designed to create a quiet environment that enhances concentration and privacy.

Prioritizing natural acoustic comfort, the goal is not to achieve absolute silence but to reduce the impact of external noise, creating a balanced environment where privacy, comfort, and functionality coexist harmoniously.

With superior acoustic capabilities, we ensure that external noise doesn't disturb you and that your conversations aren't overheard outside the BUBLIING, providing a productive and focused workspace comparable to or even exceeding the comfort of remote work.

This balance offers users greater focus and productivity, without completely disconnecting them from their surroundings.

The design of the BUBLIING uses high-performance acoustic materials. The interior of the booths is made up of sound-absorbing panels that provide a reverberation-free environment, glass, and a structure designed to enhance acoustic insulation, with walls made of high-performance recycled acoustic foam for superior efficiency.

**With a sound reduction of over 30dB, we ensure acoustic privacy according to the ISO 23351-1 testing method, one of the best industry ratings - Class A.**



## AUTOMATIC LIGHTING

The BUBLIING's offer an optimized work environment with advanced lighting features and automated adaptation.

**Equipped with linear LED lighting, they can be adjusted in both intensity and color temperature, ranging from 3500K to 4000K, ensuring suitable lighting for different needs and times of the day.** The S and Stwin models offer an optional adjustable face light for video calls.

Each BUBLIING is **equipped with two LED presence indicators on the top, one on each side** – Green or Red. This intuitive indicator allows users to quickly know whether the BUBLIING is occupied or available for use, promoting efficient management of shared spaces.



## ENHANCED VENTILATION

Integrated technology and a focus on the well-being of your employees are essential for creating work environments that foster collaboration, innovation, and connection.

BUBLIING features an **efficient ventilation system that meets the ventilation requirements for indoor commercial and service spaces.** The system was tested in an accredited laboratory, in accordance with ISO 12569:2017 standards, ensuring both the ventilation quality and the acoustic performance of BUBLIING.

In use mode, **the air is renewed, on average, every 5,6 minutes.** After each use, **in standby mode, BUBLIING automatically activates the fans for 10 minutes to refresh the surrounding air,** ensuring that the environment always has clean and fresh air.



## LIMITLESS CONNECTION

The BUBLIING's offer limitless connectivity, designed to facilitate use and integration in various environments. Each model is easily connected to a simple power outlet via a power cable and is ready to use.

**Internally, they are equipped with at least one standard SCHUKO socket and one USB-C port.**

The number of ports may vary from model to model, adjusted according to the occupancy capacity of each model.

Smaller models may have fewer ports, while larger models, such as the XL model, being even more versatile, also include an RJ45 port for Ethernet network connection. Additional input options can be added.



## INCLUSIVE BUBLIING

BUBLIING units have been designed with a strong commitment to accessibility and comfort.

The L and XL models offer a PRM version that includes: access ramp, retractable table and sofas, support bars, protective panels, and coat hooks positioned at 1200 mm.

The R model, also designed with PRM in mind, offers options such as: support bars, protective panels, and coat hooks at 1200 mm.

**This significantly facilitates access for people with reduced mobility,** ensuring that all users can enjoy a modern and efficient work environment, regardless of their physical needs.

This commitment to inclusion and well-being makes our BUBLIING's the ideal choice for any workspace, reflecting a universal and welcoming approach.

## | BUBLIING OPTIONS



**CASTERS**  
Optional for S / Stwin / M.

Designed to support heavy loads, the casters ensure smooth and secure movement, allowing you to easily reposition the BUBLIING without the need for disassembly.



**AIR SPRING FOR DOOR**  
Optional for S / Stwin / M / L / XL / R.

This mechanism uses hydraulic force to ensure that the doors remain closed smoothly and controlled, providing security and comfort to the users.



**MONITOR SUPPORT**  
Optional for M / L / XL / L PMR / XL PMR / R.

Installed on the interior and/or exterior of the BUBLIING, depending on the model, the support is designed to hold monitors of various sizes, ensuring a secure and stable installation.



**LIFTING TABLE**  
Optional for S / Stwin.

This height-adjustable system (730-1200 mm) allows users to adjust the desk height according to their needs, promoting a correct and comfortable posture for both sitting and standing work.



**BUBLIING FRESH AIR**  
Optional for S / Stwin / M / L / XL / L PMR / XL PMR.

It is a non-adjustable system that includes a heat/cool pump, which provides a reduction of a few degrees in the air temperature as it is channeled through the system's cooling duct.



**FACE LIGHT**  
Optional for S / Stwin.

It allows video calls to be made with the highest visual quality, regardless of ambient lighting conditions. This clear and professional lighting system provides a soft and even light.



**WRITING BOARD**  
Optional for L / XL / L PMR / XL PMR / R.

It can be installed on the exterior of the BUBLIING (for models L and XL) with a frame painted in the same color finish as the exterior of the BUBLIING or another color of your choice. Alternatively, for the R model, it can be installed on the interior of the BUBLIING with a black-painted frame.



**INVISIBLE CHARGER**  
Optional for S / Stwin.

Invisible and integrated into the desk, it allows the user to charge their phone wirelessly, eliminating the need for cables and providing a tidy and efficient work environment.



**CO<sub>2</sub> AND HUMIDITY SENSOR**  
For all models.

The digital control screen displays real-time information about the air quality inside the BUBLIING.



### **MAXIMIZE YOUR EXPERIENCE WITH BUBLIING. MAKE THE MOST OF ALL AVAILABLE FEATURES.**

Each option and feature offers superior performance in comfort and efficiency, ensuring a personalized and optimized environment for all your needs. From the details of the finishes to the setup of the space, we want to make sure that your space is not only functional but also a reflection of your personal tastes and requirements.



A SPACE FOR EVERYONE  
 WE WANT TO ENSURE  
 YOUR COMFORT AND SUCCESS,  
 WITH ALL THE RESOURCES.

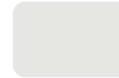









## THE FINAL TOUCH TO HELP YOU DO MORE AND BETTER.

### COLORS AND FINISHES

#### INTERIOR FINISH

-  Beige  
CSE01
-  Light Gray  
CSE41
-  Charcoal Gray  
CSE13
-  Brown Beige  
CSE02
-  Tea Green  
CSE33
-  Olive Green  
CSE34
-  Light Blue  
CSE38
-  Navy Blue  
CSE40
-  Coral Red  
CSE24
-  Classic Red  
CSE29
-  Yellow  
CSE03
-  Mustard  
CSE31


#### EXTERIOR COATING

-  White  
RAL 9003 MATE
-  Light Gray  
RAL 9002 MATE
-  Dark Gray  
RAL 7039 MATE
-  Black  
RAL 9005 MATE
-  Dark Green  
RAL 6028 MATE
-  Light Green  
RAL 6021 MATE
-  Dark Blue  
RAL 5001 MATE
-  Light Blue  
RAL 5014 MATE
-  Red Beige  
RAL 3012 MATE
-  Beige  
RAL 1001 MATE

#### INTERIOR FLOORING

-  Beige  
393100
-  Light Gray  
393300
-  Dark gray  
393350
-  Brown  
327260

#### TABLETOP

-  Plywood with  
white laminated
-  Plywood with  
anti-fingerprint  
black laminated
-  Plywood with  
oak laminated

Design your BUBLING  
 on our website.  
**[bubling.com](http://bubling.com)**





## WE TRANSFORM SPACES WITH RESPONSIBILITY IN MIND.



### DURABILITY

BUBLIING's are built to last, using high-quality materials that undergo constant rigorous testing. Our robust and easy-to-maintain design ensures that BUBLIING's withstand the test of time, reducing the need for frequent replacements and minimizing waste.



### RENEWABLE AND RECYCLED MATERIALS

We prioritize the use of sustainable materials, such as certified wood and recyclable acoustic components. These materials are chosen to preserve natural resources and reduce the ecological footprint, without ever compromising the product's quality



### RESPONSIBLE PRODUCTION

We work with optimized manufacturing processes to minimize waste and reduce emissions. Additionally, we prioritize partnerships with suppliers who adopt good environmental practices and sustainable certifications.



### CIRCULARITY

We design our solutions with a focus on reuse and recycling. Whenever possible, we use modular materials and easily replaceable components, extending the product's lifespan and facilitating its repurposing at the end of its use cycle.



### ENERGY EFFICIENCY

We implement technologies such as LED lighting and low-energy sensors, which optimize energy use and reduce carbon emissions. This ensures that our BUBLIING's are both efficient and sustainable.



### OPTIMIZED LOGISTICS

We reduce our carbon footprint by optimizing the transportation and packaging of our products. We use recyclable packaging materials and strategies that minimize the transported volume, making the entire process more efficient and sustainable.





**BUBLIING** 

CG.07\_03

Zona Industrial de Oiã, Lote B 28

Rua do Laranjo

3770-059 Oiã - PORTUGAL

(+351) 234 728 065

[bubliing@bubliing.com](mailto:bubliing@bubliing.com)

[www.bubliing.com](http://www.bubliing.com)